

FLORIDA DEPARTMENT OF
Business & Professional Regulation



[DBPR HOME](#) | [ABOUT DBPR](#) | [DBPR DIVISIONS](#) | [CONTACT DBPR](#)

[BCIS Home](#) | [Log In](#) | [User Registration](#) | [Hot Topics](#) | [Submit Surcharge](#) | [Stats & Facts](#) | [Publications](#) | [Contact Us](#) | [BCIS Site Map](#) | [Links](#) | [Search](#)



Product Approval
USER: Public User

[Product Approval Menu](#) > [Product or Application Search](#) > [Application List](#) > **Application Detail**

OFFICE OF THE
SECRETARY

FL #	FL20399-R2								
Application Type	Revision								
Code Version	2020								
Application Status	Approved								
Comments									
Archived	<input type="checkbox"/>								
Product Manufacturer	SOUTH FLORIDA ROLLING DOOR, INC,								
Address/Phone/Email	3590 NW 34 St MIAMI, FL 33142 (305) 556-6633 aboveall2003@bellsouth.net								
Authorized Signature	Yiping Wang mcy@mcyengineering.com								
Technical Representative									
Address/Phone/Email									
Quality Assurance Representative									
Address/Phone/Email									
Category	Exterior Doors								
Subcategory	Roll-Up Exterior Door Assemblies								
Compliance Method	Evaluation Report from a Florida Registered Architect or a Licensed Florida Professional Engineer <input type="checkbox"/> Evaluation Report - Hardcopy Received								
Florida Engineer or Architect Name who developed the Evaluation Report	Yiping Wang								
Florida License	PE-55983								
Quality Assurance Entity	National Accreditation and Management Institute								
Quality Assurance Contract Expiration Date	12/31/2022								
Validated By	Xiaojun Gu <input checked="" type="checkbox"/> Validation Checklist - Hardcopy Received								
Certificate of Independence	FL20399_R2_COI_Certificate of Independence - 2865-03.04.2021_SS.pdf								
Referenced Standard and Year (of Standard)	<table border="0"> <thead> <tr> <th>Standard</th> <th>Year</th> </tr> </thead> <tbody> <tr> <td>TAS 201</td> <td>1994</td> </tr> <tr> <td>TAS 202</td> <td>1994</td> </tr> <tr> <td>TAS 203</td> <td>1994</td> </tr> </tbody> </table>	Standard	Year	TAS 201	1994	TAS 202	1994	TAS 203	1994
Standard	Year								
TAS 201	1994								
TAS 202	1994								
TAS 203	1994								
Equivalence of Product Standards Certified By									
Sections from the Code									

Product Approval Method

Method 1 Option D

Date Submitted 03/25/2021
 Date Validated 03/28/2021
 Date Pending FBC Approval 03/31/2021
 Date Approved 06/08/2021

Summary of Products

FL #	Model, Number or Name	Description
20399.1	Series 2865 Garage Door	Series 2865 Garage Door - LMI & SMI
Limits of Use Approved for use in HVHZ: Yes Approved for use outside HVHZ: Yes Impact Resistant: Yes Design Pressure: +65/-65 Other: For anchor options, see installation instructions.		Installation Instructions FL20399_R2_II_SERIES 2865 GARAGE DOOR AD16-07 03.03.2021_SS.pdf Verified By: Yiping Wang PE #55983 Created by Independent Third Party: Yes Evaluation Reports FL20399_R2_AE_Evaluation Report - 2865 - 03.04.2021_SS.pdf Created by Independent Third Party: Yes

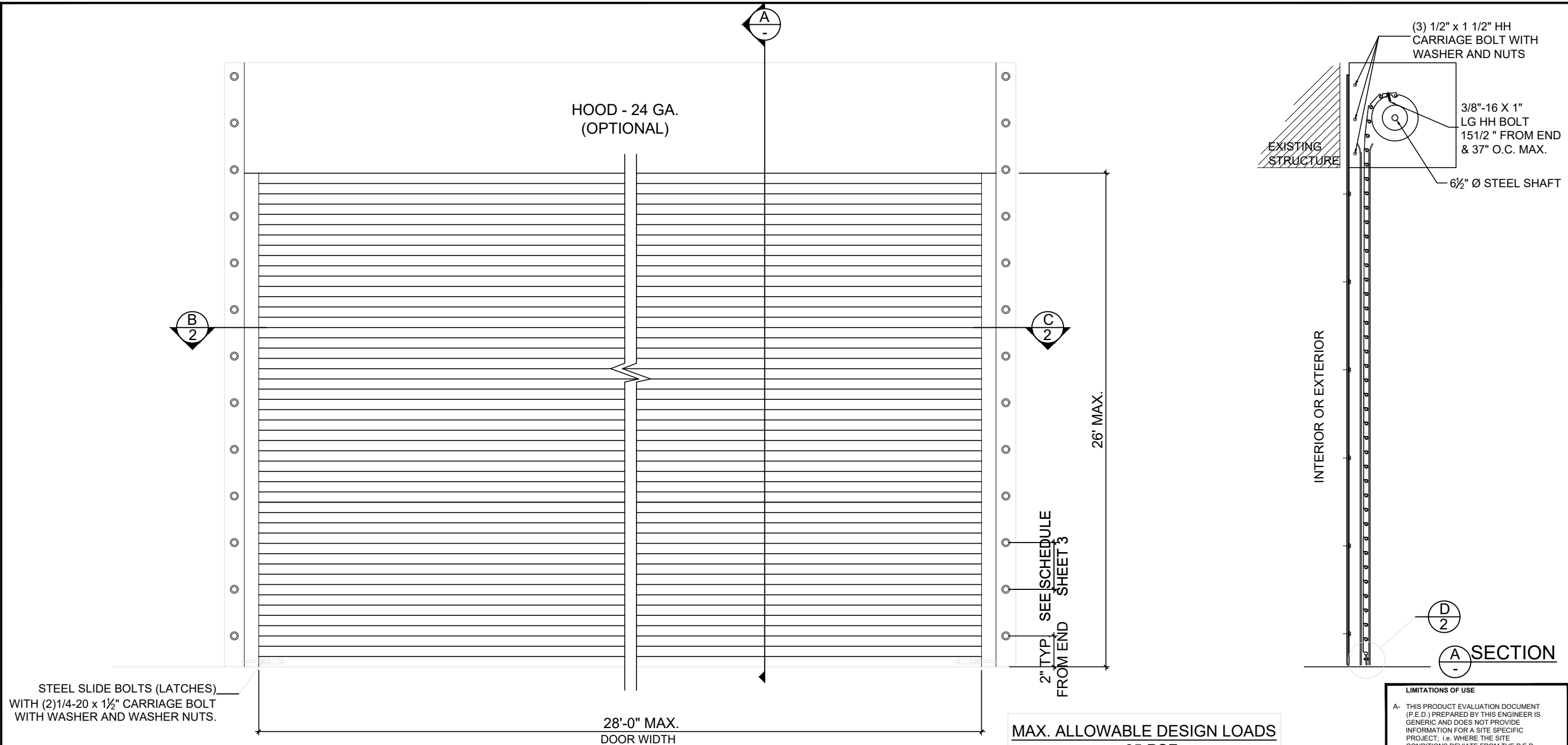
[Back](#) [Next](#)

[Contact Us](#) :: [2601 Blair Stone Road, Tallahassee FL 32399](#) Phone: 850-487-1824

The State of Florida is an AA/EEO employer. [Copyright 2007-2013 State of Florida](#). :: [Privacy Statement](#) :: [Accessibility Statement](#) :: [Refund Statement](#)

Under Florida law, email addresses are public records. If you do not want your e-mail address released in response to a public-records request, do not send electronic mail to this entity. Instead, contact the office by phone or by traditional mail. If you have any questions, please contact 850.487.1395. *Pursuant to Section 455.275(1), Florida Statutes, effective October 1, 2012, licensees licensed under Chapter 455, F.S. must provide the Department with an email address if they have one. The emails provided may be used for official communication with the licensee. However email addresses are public record. If you do not wish to supply a personal address, please provide the Department with an email address which can be made available to the public. To determine if you are a licensee under Chapter 455, F.S., please click [here](#).





GENERAL NOTES:

- THIS PRODUCT HAS BEEN DESIGNED AND TESTED TO COMPLY WITH THE REQUIREMENTS OF THE 7TH EDITION FLORIDA BUILDING CODE (2020), INCLUDING HIGH VELOCITY HURRICANE ZONE (HVHZ).
- THE ROLL UP DOOR HAS BEEN TESTED AS PER FBC 2020 TAS 201, 202 AND 203 FOR LARGE MISSILE IMPACT. FORCE ENTRY RESISTANCE TEST PER AAMA 1703.5 IN ACCORDANCE WITH CHAPTER 17 OF THE 2020 FBC.
- DESIGN LOAD SHALL BE DETERMINED BASED ON BASIC WIND SPEED, BUILDING HEIGHT AND WIND ZONE USING APPLICABLE ASCE 7 STANDARD
- ULTIMATE DESIGN LOAD OBTAINED FROM ASCE 7-16, MULTIPLY BY 0.6 SHALL BE LESS THAN OR EQUAL TO DESIGN LOAD IN THIS DOCUMENT.

TYPICAL ELEVATION

- SLAT TO BE 22 GA. ASTM A653 DESIGNATION G - 90 FINISH TYPE COATING
- ANCHORS SHALL BE AS LISTED, SPACED AS SHOWN ON DETAILS. ANCHORS EMBEDMENT TO BASE MATERIAL SHALL BE BEYOND WALL DRESSING OR STUCCO.
- ANCHORING OR LOADING CONDITIONS NOT SHOWN IN THESE DETAILS ARE NOT PART OF THIS APPROVAL.
- MATERIALS INCLUDING BUT NOT LIMITED TO STEEL/METAL SCREWS THAT COME INTO CONTACT WITH OTHER DISSIMILAR MATERIALS SHALL MEET THE REQUIREMENTS OF THE 7TH EDITION FLORIDA BUILDING CODE (2020) SECTION AS APPLICABLE.
- IT SHALL BE THE RESPONSIBILITY OF THE CONTRACTOR TO VERIFY THAT THE EXISTING STRUCTURE IS DESIGNED TO SUPPORT Vx & Vy FORCES AT BOTH JAMBS. REFER TO SHEET 3 FOR Vx AND Vy.

MAX. ALLOWABLE DESIGN LOADS
 + 65 PSF
 - 65 PSF

LIMITATIONS OF USE

A- THIS PRODUCT EVALUATION DOCUMENT (P.E.D.) PREPARED BY THIS ENGINEER IS GENERIC AND DOES NOT PROVIDE INFORMATION FOR A SITE SPECIFIC PROJECT. I.E. WHERE THE SITE CONDITIONS DEVIATE FROM THE P.E.D.

B- CONTRACTOR TO BE RESPONSIBLE FOR THE SELECTION, PURCHASE AND INSTALLATION OF THIS PRODUCT BASED ON THIS PRODUCT EVALUATION PROVIDED HE/SHE DOES NOT DEVIATE FROM THE CONDITIONS DETAILED ON THIS DOCUMENT.

C- THIS PRODUCT EVALUATION DOCUMENT WILL BE CONSIDERED INVALID IF ALTERED BY ANY MEANS.

D- SITE SPECIFIC PROJECTS SHALL BE PREPARED BY A FLORIDA REGISTERED ENGINEER OR ARCHITECT WHICH WILL BECOME THE ENGINEER OF RECORD (E.O.R.) FOR THE PROJECT AND WHO WILL BE RESPONSIBLE FOR THE PROPER USE OF THE P.E.D.

E- THIS P.E.D. SHALL BEAR THE DATE AND ORIGINAL SEAL AND SIGNATURE OF THE PROFESSIONAL ENGINEER OF RECORD THAT PREPARED IT.

YIPING WANG, P.E.
 FLORIDA REGISTRATION
 FL #55983
 C.A.N. 28677

NO.	DATE	DESCRIPTION
1	4.20.2016	UPDATE TO FBC 2017
2	3.3.2021	UPDATE TO FBC 2020

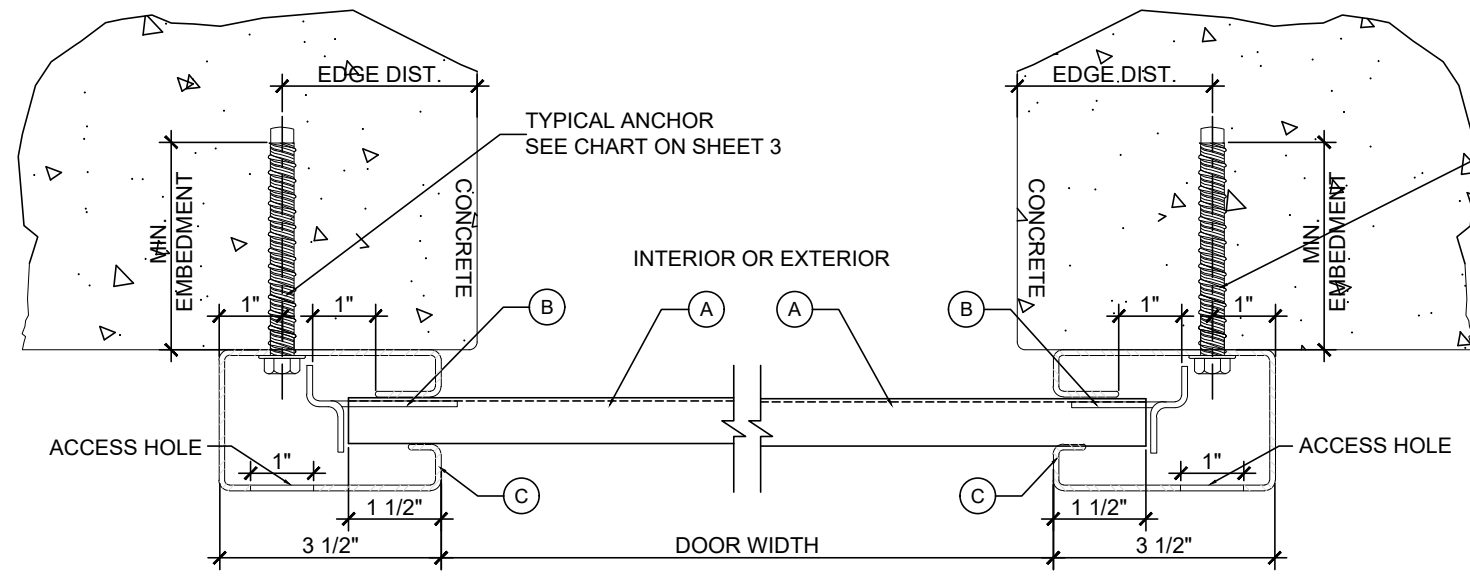
MCY ENGINEERING, INC.
 GLAZING CONSULTANTS
 12781 MIRAMAR PARKWAY #301 P: 305.271.0117
 MIRAMAR, FL 33027
 www.MCYEngineering.com MCY@mcyengineering.com

SERIES 2865 GARAGE DOOR (LMI & SMI)
 SOUTH FLORIDA ROLLING DOORS, INC.
 3590 NW 34TH ST.
 MIAMI, FL. 33142
 P: (305) 556 - 6633 F: (305) 556 - 2609

FLORIDA APPROVAL
FL #20399

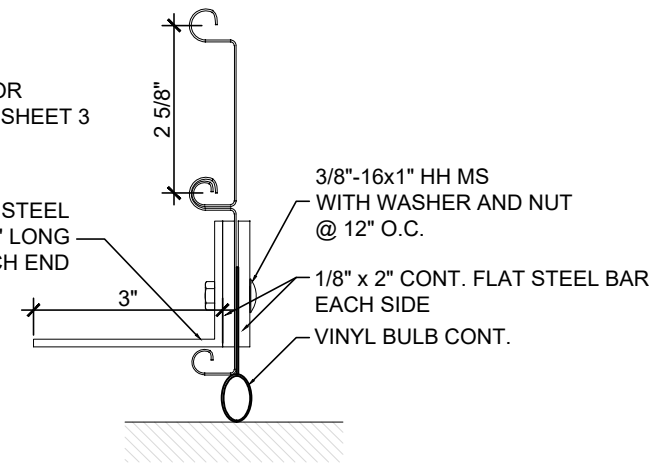
DATE	03.03.2021
SCALE	AS SHOWN
DRAWN	MCY
PROJECT	MCY 16-015

DRAWING NO.
AD16-07
 SHEET 1 of 4

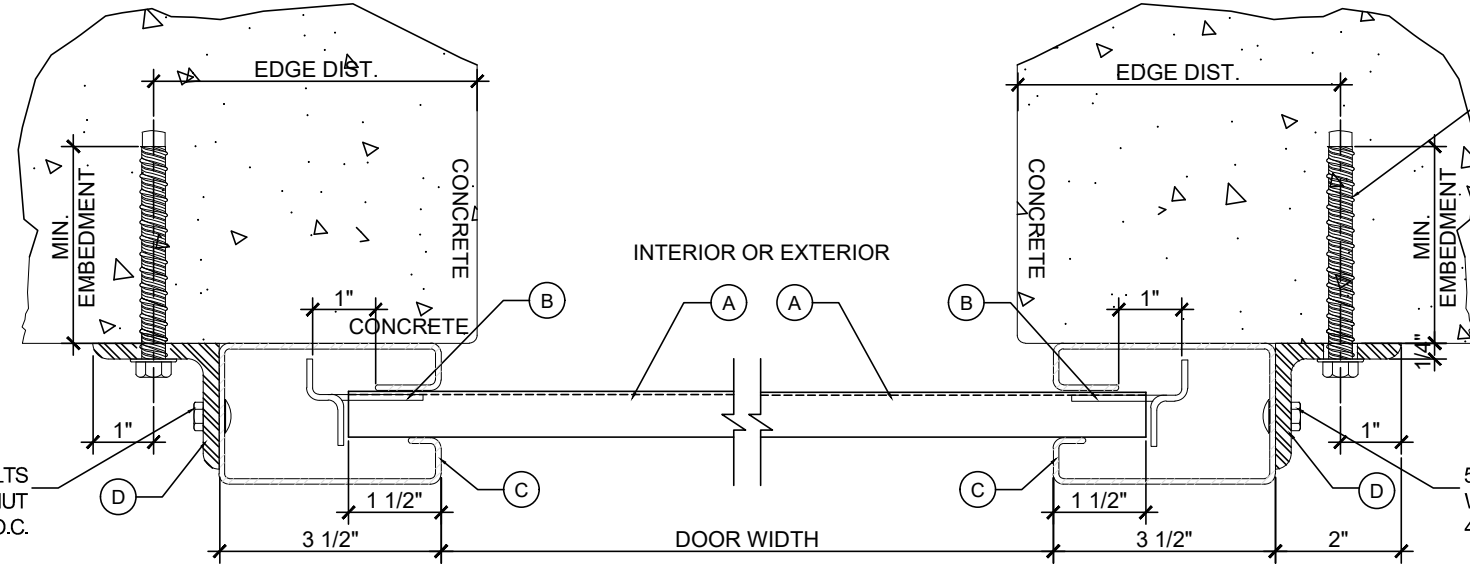


(B)

(C)



(D) BOTTOM BAR DETAIL

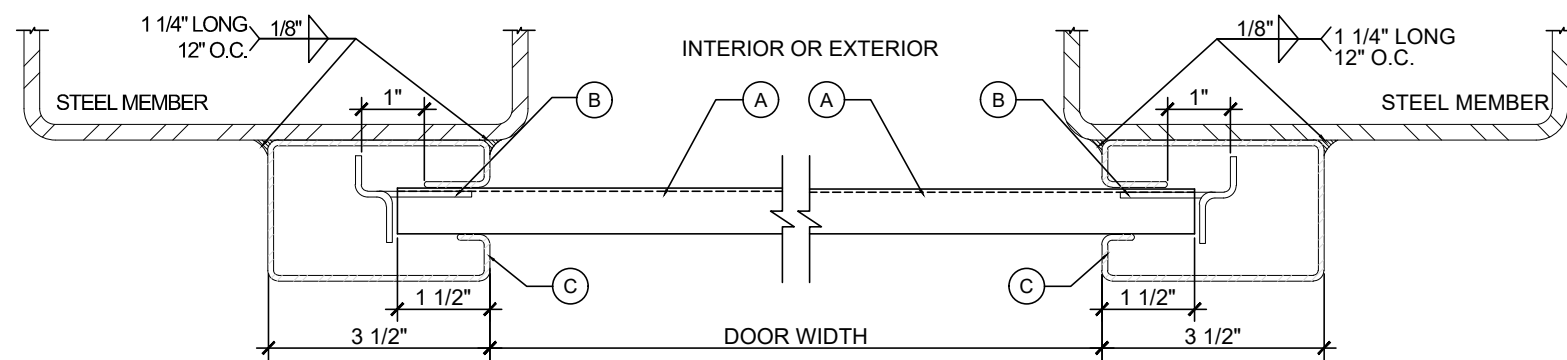


(B)

(C)

NOTES:
DOOR MAY BE INSTALLED ON THE INSIDE OR
OUTSIDE OF AN EXISTING OPENING.

THE DETAILS CAN BE USED IN ANY
COMBINATION.



(B)

(C)

REVISIONS	
NO.	DESCRIPTION
1	4.20.2016 UPDATE TO FBC 2017
2	3.3.2021 UPDATE TO FBC 2020

MCY ENGINEERING, INC.
GLAZING CONSULTANTS
12781 MIRAMAR PARKWAY #301 P. 305.271.0117
MIRAMAR, FL 33027
www.MCYEngineering.com MCY@mcyengineering.com

SERIES 2865 GARAGE DOOR (LMI & SMI)
SOUTH FLORIDA ROLLING DOORS, INC.
3590 NW 34TH ST.
MIAMI, FL. 33142
P: (305) 556 - 6633 F: (305) 556 - 2609

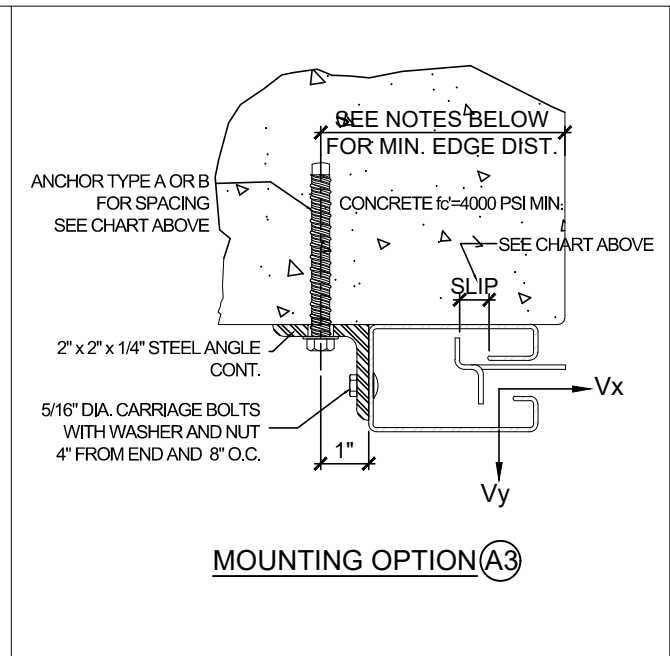
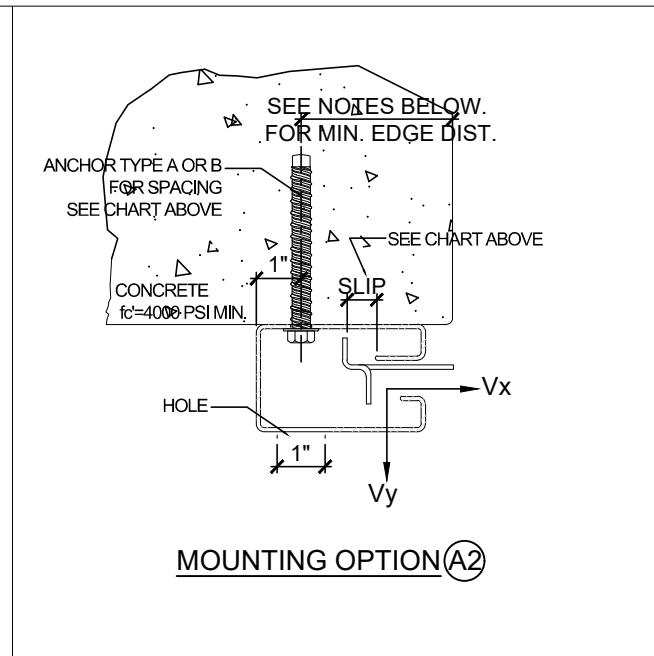
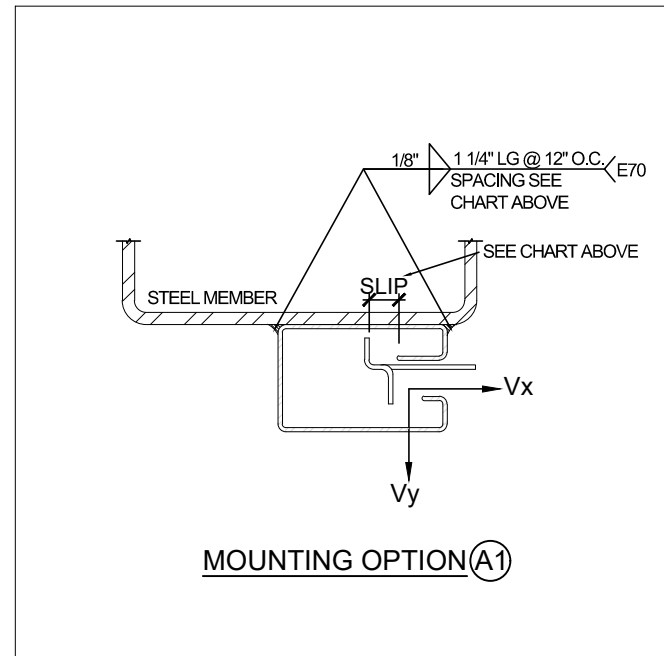
FLORIDA APPROVAL	
FL #20399	
DATE	03.03.2021
SCALE	AS SHOWN
DRAWN	MCY
PROJECT	MCY 16-015

YIPING WANG, P.E.
FLORIDA REGISTRATION
FL #55983
C.A.N. 28677

DRAWING NO.
AD16-07

SHEET 2 of 4

MAXIMUM DESIGN LOAD (PSF)	DOOR WIDTH (FT)	DESIGN SLIP (IN)	MAX. LOADS AT EACH SIDE OF JAMB		ANCHOR SPACING (INCHES)					
			V _x (LB/FT)	V _y (LB/FT)	MOUNTING (A1)		MOUNTING (A2)		MOUNTING (A3)	
					TYPE C	STEEL	TYPE A	TYPE B	TYPE A	TYPE B
±65	28	1	3611	929	12"	4 1/4"	5"	4 1/4"	5"	
	26	1	3268	864	12"	4 3/4"	5 1/2"	4 3/4"	5 1/2"	
	24	1	2925	799	12"	5 1/4"	6"	5 1/4"	6"	
	22	1	2583	734	12"	6"	6 3/4"	6"	6 3/4"	
	20	1	2239	669	12"	6 3/4"	7 3/4"	6 3/4"	7 3/4"	
	18	1	1892	604	12"	8"	8"	8"	8"	



TYPICAL ANCHOR TYPES:

(SEE CHART FOR SPACING)

TYPE A. 3/8" DIA. WEDGE BOLT ANCHOR BY POWERS DIRECTLY INTO CONCRETE $f_c=4000$ PSI MIN. 3 1/2" MIN. EMBED 4 1/2" MIN. EDGE DIST. 4" MIN. SPACING

TYPE B. 1/2" DIA. WEDGE BOLT ANCHOR BY POWERS DIRECTLY INTO CONCRETE $f_c=4000$ PSI MIN. 4" MIN. EMBED 5" MIN. EDGE DIST. 5" MIN. SPACING

TYPE C. 1/8" x 1 1/4" LONG WELDS ELECTRODE E70 WELDED TO STEEL 3/16" MIN. THICK STEEL : $F_y = 36$ KSI MIN. MOUNTING A1 ONLY

STRUCTURE TO BE DETERMINATED BY PROJECT DEDICATED ENGINEER.

FLORIDA APPROVAL:
YIPING WANG, P.E.
FLORIDA REGISTRATION
FL #55983
C.A.N. 28677

FL #20399	
DATE	03.03.2021
SCALE	AS SHOWN
DRAWN	MCY
PROJECT	MCY 16-015

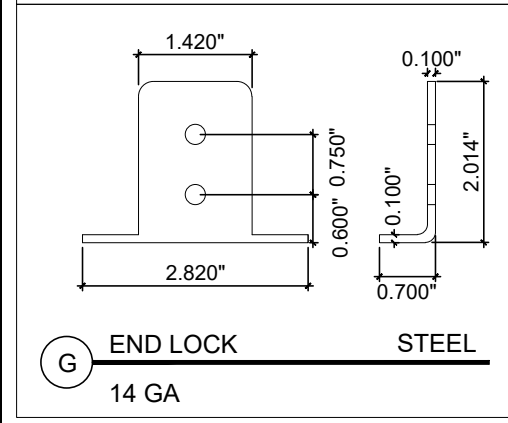
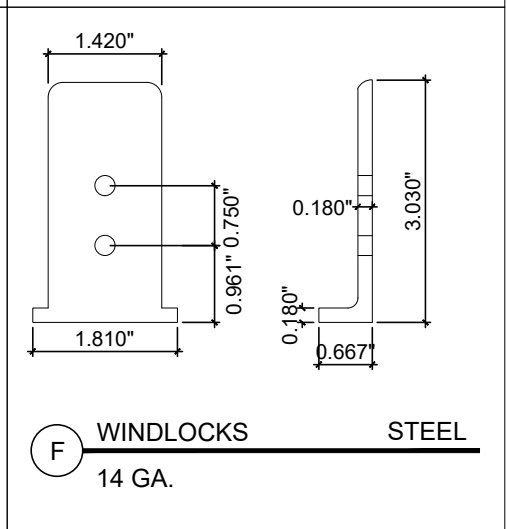
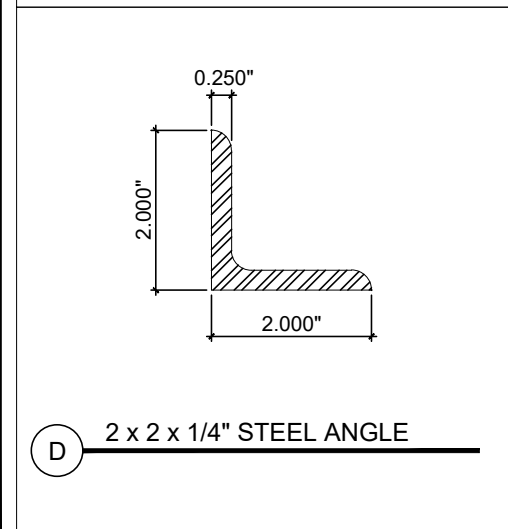
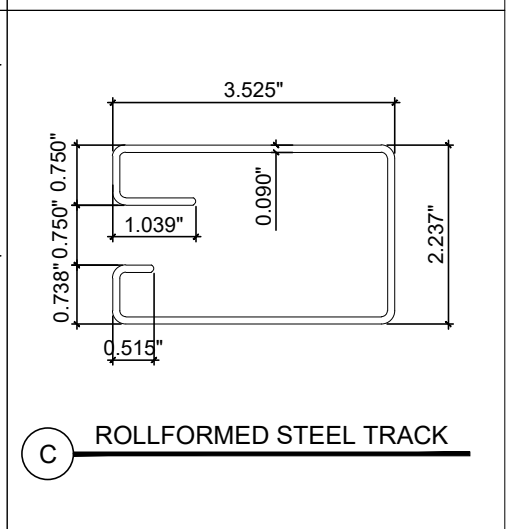
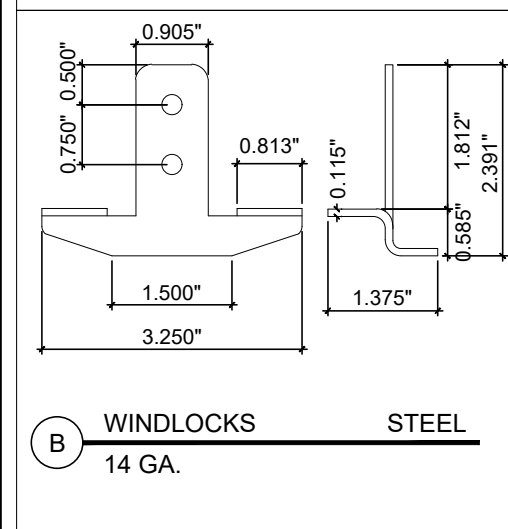
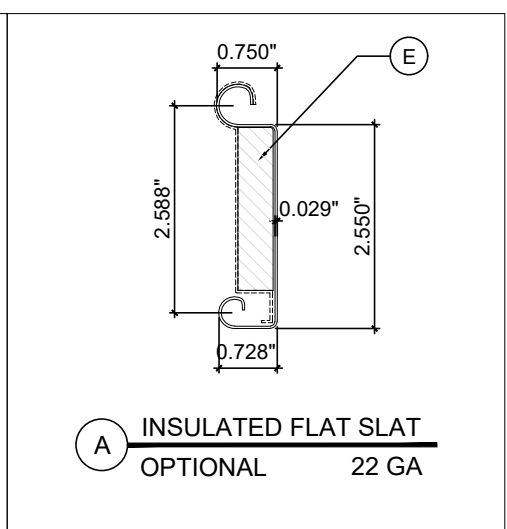
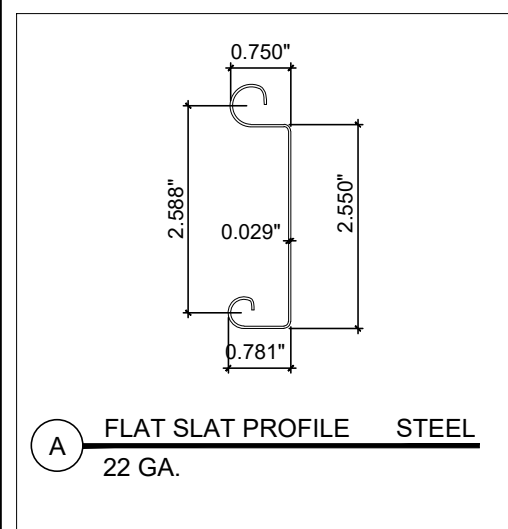
DRAWING NO.
AD16-07

SHEET 3 of 4

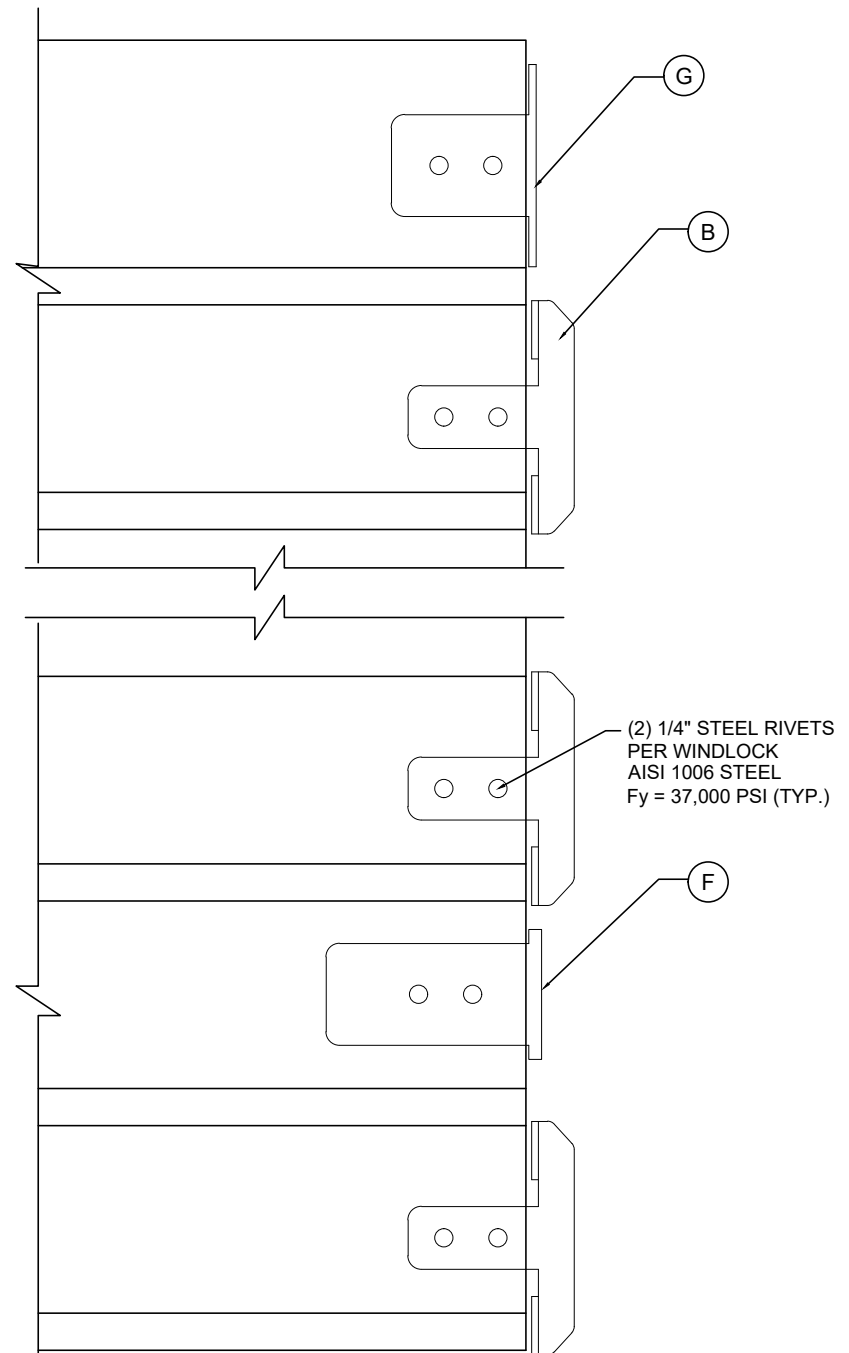
NO.	DATE	DESCRIPTION
1	4.20.2016	UPDATE TO FBC 2017
2	3.3.2021	UPDATE TO FBC 2020

MCY ENGINEERING, INC.
GLAZING CONSULTANTS
12781 MIRAMAR PARKWAY #301 P. 305.271.0117
MIRAMAR, FL 33027
www.MCYEngineering.com MCY@mcyengineering.com

SERIES 2865 GARAGE DOOR (LMI & SMI)
SOUTH FLORIDA ROLLING DOORS, INC.
3590 NW 34TH ST.
MIAMI, FL. 33142
P: (305) 556 - 6633 F: (305) 556 - 2609



BILL OF MATERIALS				
ITEM #	QTY.	DESCRIPTION	MATERIAL	MANUFACTURER/REMARKS
A	AS REQD.	22 GA. (0.029") FLAT SLAT	GALVANIZED STEEL OR STAINLESS STEEL	ASTM A653 Fy = 62 KSI OR STAINLESS STEEL AISI 304 Fy = 62 KSI . SOUTH FLORIDA ROLLING DOOR, CORP
B	EVERY OTHER SLAT	14 GA WINDLOCKS	PLATED STEEL	ASTM A36 MIN. SOUTH FLORIDA ROLLING DOOR, CORP.
C	2 PER FRAME	ROLLFORMED STEEL TRACK	GALVANIZED STEEL	ASTM A36 MIN.
D	AS REQD.	2 x 2 x 1/4" STEEL ANGLE	GALVANIZED STEEL	ASTM A36 MIN.
E	AS REQD.	EXPANDED POLYSTYRENE BLOCK TYPE INSULATION	POLYSTYRENE	DYPLAST PRODUCTS LLC. (NOA 11-0926.07)
F	EVERY OTHER SLAT	14 GA. WINDLOCKS	PLATED STEEL	ASTM A36 MIN. SOUTH FLORIDA ROLLING DOOR, CORP.
G	6 AT LAST TOP SLAT	14 GA. ENDLOCKS	PLATED STEEL	ASTM A36 MIN. SOUTH FLORIDA ROLLING DOOR, CORP.



INTERLOCKING SLATS AND WINDLOCKS DETAIL

REVISIONS	
NO	DATE DESCRIPTION
1	4.20.2016 UPDATE TO FBC 2017
2	3.3.2021 UPDATE TO FBC 2020

MCY ENGINEERING, INC.
GLAZING CONSULTANTS
12781 MIRAMAR PARKWAY #301 P: 305.271.0117
MIRAMAR, FL 33027
www.MCYEngineering.com MCY@mcycyengineering.com

SERIES 2865 GARAGE DOOR (LMI & SMI)
SOUTH FLORIDA ROLLING DOORS, INC.
3590 NW 34TH ST.
MIAMI, FL. 33142
P: (305) 556 - 6633 F: (305) 556 - 2609

FLORIDA APPROVAL:
FL #20399
YIPING WANG, P.E.
FLORIDA REGISTRATION
FL #55983
C.A.N. 28677

DATE	03.03.2021
SCALE	AS SHOWN
DRAWN	MCY
PROJECT	MCY 16-015
DRAWING NO. AD16-07	
SHEET 4 of 4	