



Product Approval
USER: Public User

[Product Approval Menu](#) > [Product or Application Search](#) > [Application List](#) > **Application Detail**

OFFICE OF THE
SECRETARY

FL #	FL18604-R3								
Application Type	Revision								
Code Version	2020								
Application Status	Approved								
Comments									
Archived	<input type="checkbox"/>								
Product Manufacturer	SOUTH FLORIDA ROLLING DOOR, INC,								
Address/Phone/Email	3590 NW 34 St MIAMI, FL 33142 (305) 556-6633 aboveall2003@bellsouth.net								
Authorized Signature	Yiping Wang mcy@mcyengineering.com								
Technical Representative									
Address/Phone/Email									
Quality Assurance Representative									
Address/Phone/Email									
Category	Exterior Doors								
Subcategory	Roll-Up Exterior Door Assemblies								
Compliance Method	Evaluation Report from a Florida Registered Architect or a Licensed Florida Professional Engineer <input type="checkbox"/> Evaluation Report - Hardcopy Received								
Florida Engineer or Architect Name who developed the Evaluation Report	Yiping Wang								
Florida License	PE-55983								
Quality Assurance Entity	National Accreditation and Management Institute								
Quality Assurance Contract Expiration Date	12/31/2022								
Validated By	Xiaojun Gu <input checked="" type="checkbox"/> Validation Checklist - Hardcopy Received								
Certificate of Independence	FL18604_R3_COI_Certificate_of_Independence - SFRD 1675-03,04,2021_SS.pdf								
Referenced Standard and Year (of Standard)	<table> <thead> <tr> <th><u>Standard</u></th> <th><u>Year</u></th> </tr> </thead> <tbody> <tr> <td>TAS 201</td> <td>1994</td> </tr> <tr> <td>TAS 202</td> <td>1994</td> </tr> <tr> <td>TAS 203</td> <td>1994</td> </tr> </tbody> </table>	<u>Standard</u>	<u>Year</u>	TAS 201	1994	TAS 202	1994	TAS 203	1994
<u>Standard</u>	<u>Year</u>								
TAS 201	1994								
TAS 202	1994								
TAS 203	1994								
Equivalence of Product Standards Certified By									
Sections from the Code									

Product Approval Method	Method 1 Option D
Date Submitted	03/25/2021
Date Validated	03/28/2021
Date Pending FBC Approval	03/31/2021
Date Approved	06/08/2021

Summary of Products

FL #	Model, Number or Name	Description
18604.1	Series 1675 Steel Rolling Door	Series 1675 Steel Rolling Door (LMI & SMI)
Limits of Use Approved for use in HVHZ: Yes Approved for use outside HVHZ: Yes Impact Resistant: Yes Design Pressure: +75/-75 Other:		Installation Instructions FL18604_R3_II_SERIES 1675 ROLLING DOOR AD14-11 03.24.2021_SS.pdf Verified By: Yiping Wang 55983 Created by Independent Third Party: Yes Evaluation Reports FL18604_R3_AE_Evaluation Report - SFRD 1675 - 03.04.2021_SS.pdf Created by Independent Third Party: Yes

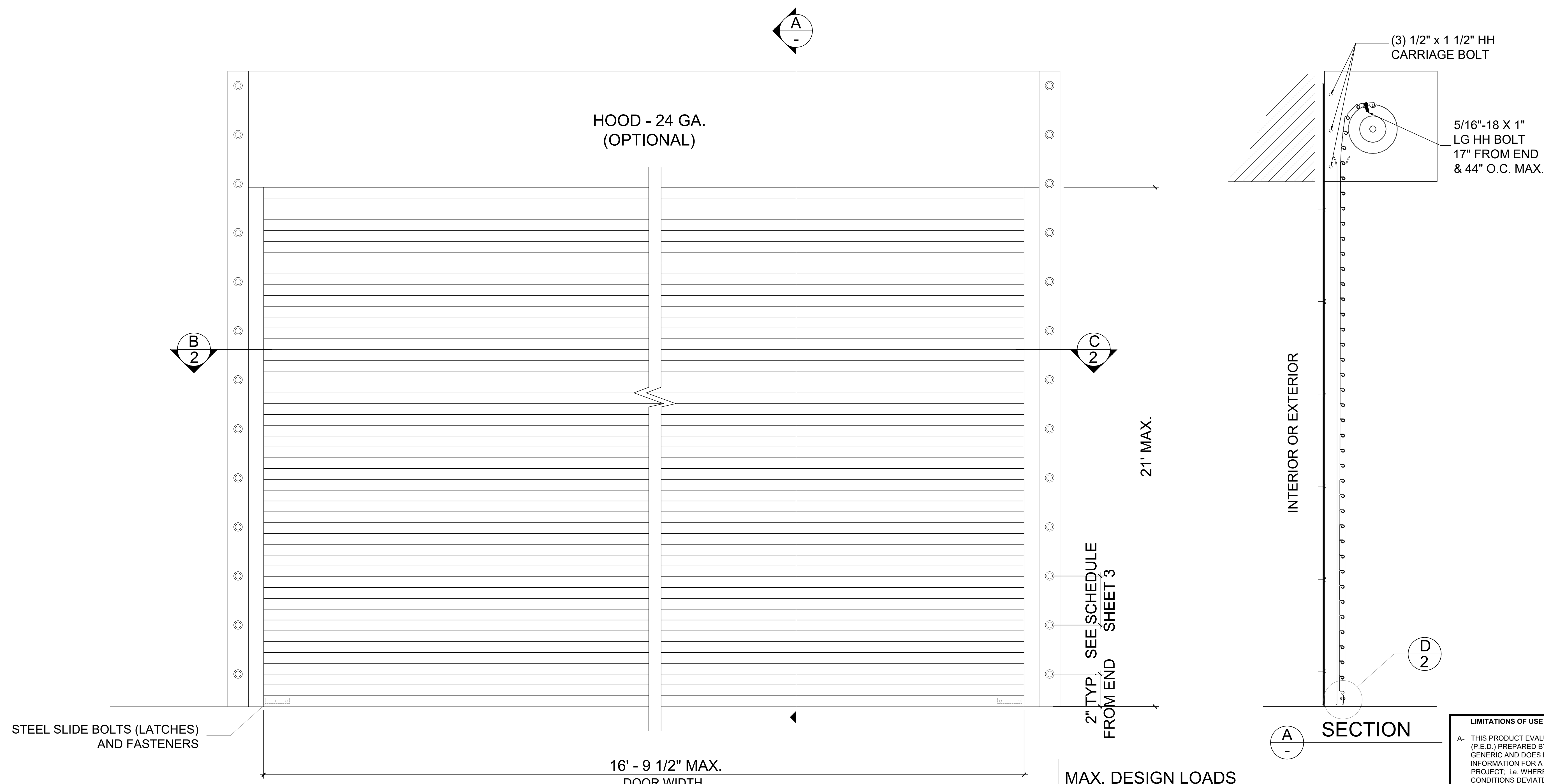
[Back](#) [Next](#)

[Contact Us](#) :: [2601 Blair Stone Road, Tallahassee FL 32399](#) Phone: 850-487-1824

The State of Florida is an AA/EEO employer. [Copyright 2007-2013 State of Florida](#). :: [Privacy Statement](#) :: [Accessibility Statement](#) :: [Refund Statement](#)

Under Florida law, email addresses are public records. If you do not want your e-mail address released in response to a public-records request, do not send electronic mail to this entity. Instead, contact the office by phone or by traditional mail. If you have any questions, please contact 850.487.1395. *Pursuant to Section 455.275(1), Florida Statutes, effective October 1, 2012, licensees licensed under Chapter 455, F.S. must provide the Department with an email address if they have one. The emails provided may be used for official communication with the licensee. However email addresses are public record. If you do not wish to supply a personal address, please provide the Department with an email address which can be made available to the public. To determine if you are a licensee under Chapter 455, F.S., please click [here](#).





TYPICAL ELEVATION

SECTION

MAX. DESIGN LOADS
 + 75 PSF
 - 75 PSF

LIMITATIONS OF USE

A- THIS PRODUCT EVALUATION DOCUMENT (P.E.D.) PREPARED BY THIS ENGINEER IS GENERIC AND DOES NOT PROVIDE INFORMATION FOR A SITE SPECIFIC PROJECT, i.e. WHERE THE SITE CONDITIONS DEVIATE FROM THE P.E.D.

B- CONTRACTOR TO BE RESPONSIBLE FOR THE SELECTION, PURCHASE AND INSTALLATION OF THIS PRODUCT BASED ON THIS PRODUCT EVALUATION PROVIDED HE/SHE DOES NOT DEVIATE FROM THE CONDITIONS DETAILED ON THIS DOCUMENT.

C- THIS PRODUCT EVALUATION DOCUMENT WILL BE CONSIDERED INVALID IF ALTERED BY ANY MEANS.

D- SITE SPECIFIC PROJECTS SHALL BE PREPARED BY A FLORIDA REGISTERED ENGINEER OR ARCHITECT WHICH WILL BECOME THE ENGINEER OF RECORD (E.O.R.) FOR THE PROJECT AND WHO WILL BE RESPONSIBLE FOR THE PROPER USE OF THE P.E.D.

E- THIS P.E.D. SHALL BEAR THE DATE AND ORIGINAL SEAL AND SIGNATURE OF THE PROFESSIONAL ENGINEER OF RECORD THAT PREPARED IT.

GENERAL NOTES:

- THIS PRODUCT HAS BEEN DESIGNED AND TESTED TO COMPLY WITH THE REQUIREMENTS OF THE 2020 FLORIDA BUILDING CODE 7TH EDITION. INCLUDED HIGH VELOCITY HURRICANE ZONE (HVHZ).
- THE ROLLING UP DOOR HAVE BEEN TESTED AS PER FBC 2020 TAS 201, 202 AND 203 FOR LARGE MISSILE IMPACT. FORCE ENTRY RESISTANCE TEST PER AAMA 1703.5 IN ACCORDANCE WITH CHAPTER 17 OF THE 2020 FBC.
- DESIGN LOAD SHALL BE DETERMINED BASED ON BASIC WIND SPEED, BUILDING HEIGHT AND WIND ZONE USING APPLICABLE ASCE 7 STANDARD
- ULTIMATE DESIGN LOAD OBTAINED FROM ASCE 7-16, MULTIPLY BY 0.6 SHALL BE LESS THAN OR EQUAL TO DESIGN LOAD IN THIS DOCUMENT.

- HOOD TO BE 24 GA. ASTM A653 DESIGNATION G - 90 FINISH TYPE COATING
- ANCHORS SHALL BE AS LISTED, SPACED AS SHOWN ON DETAILS. ANCHORS EMBEDMENT TO BASE MATERIAL SHALL BE BEYOND WALL DRESSING OR STUCCO.
- ANCHORING OR LOADING CONDITIONS NOT SHOWN IN THESE DETAILS ARE NOT PART OF THIS APPROVAL.
- MATERIALS INCLUDING BUT NOT LIMITED TO STEEL/METAL SCREWS THAT COME INTO CONTACT WITH OTHER DISSIMILAR MATERIALS SHALL MEET THE REQUIREMENTS OF 2020 FLORIDA BUILDING CODE SECTION AS APPLICABLE.
- IT SHALL BE THE RESPONSIBILITY OF THE CONTRACTOR TO VERIFY THAT THE EXISTING STRUCTURE IS DESIGNED TO SUPPORT Vx & Vy FORCES AT BOTH JAMBS. REFER TO SHEET 3 FOR Vx AND Vy.

NO.	DATE	DESCRIPTION
1	9.24.2018	UPDATE TO FBC 2017
2	3.3.2021	UPDATE TO FBC 2020

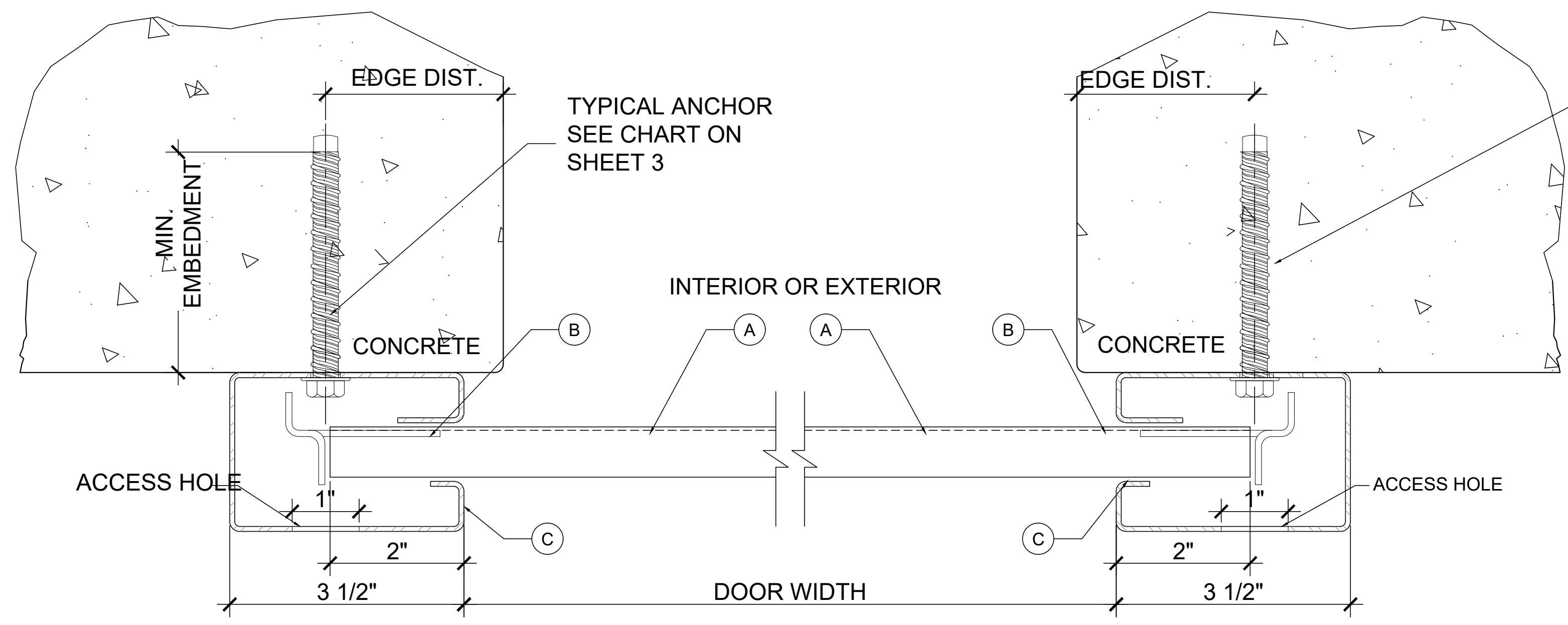
MCY ENGINEERING, INC.
 GLAZING CONSULTANTS

12781 MIRAMAR PARKWAY #301 P: 305.271.0117
 MIRAMAR, FL 33027
 www.MCYEngineering.com MCY@mcyengineering.com

SERIES 1675 ROLLING DOOR (LMI & SMI)
SOUTH FLORIDA ROLLING DOORS, INC.
 3590 NW 34TH ST.
 MIAMI, FL. 33142
 P: (305) 556 - 6633 P: (305) 362 - 9477

FL#	18604
DATE	03.03.2021
SCALE	AS NOTED
DRAWN	MCY
DRAWING NO. AD14-11	
SHEET 1 of 4	

YIPING WANG, P.E.
 FLORIDA REGISTRATION
 PE #55983
 C.A.N. 28677

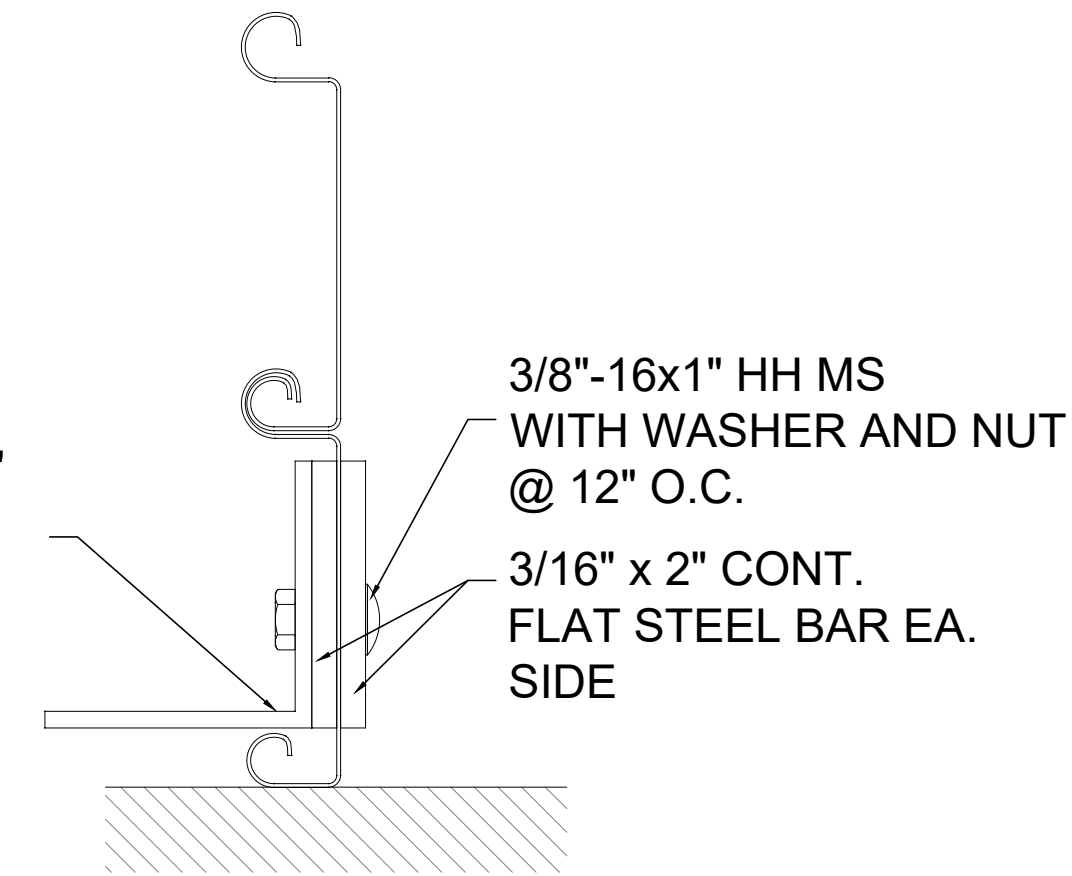


B

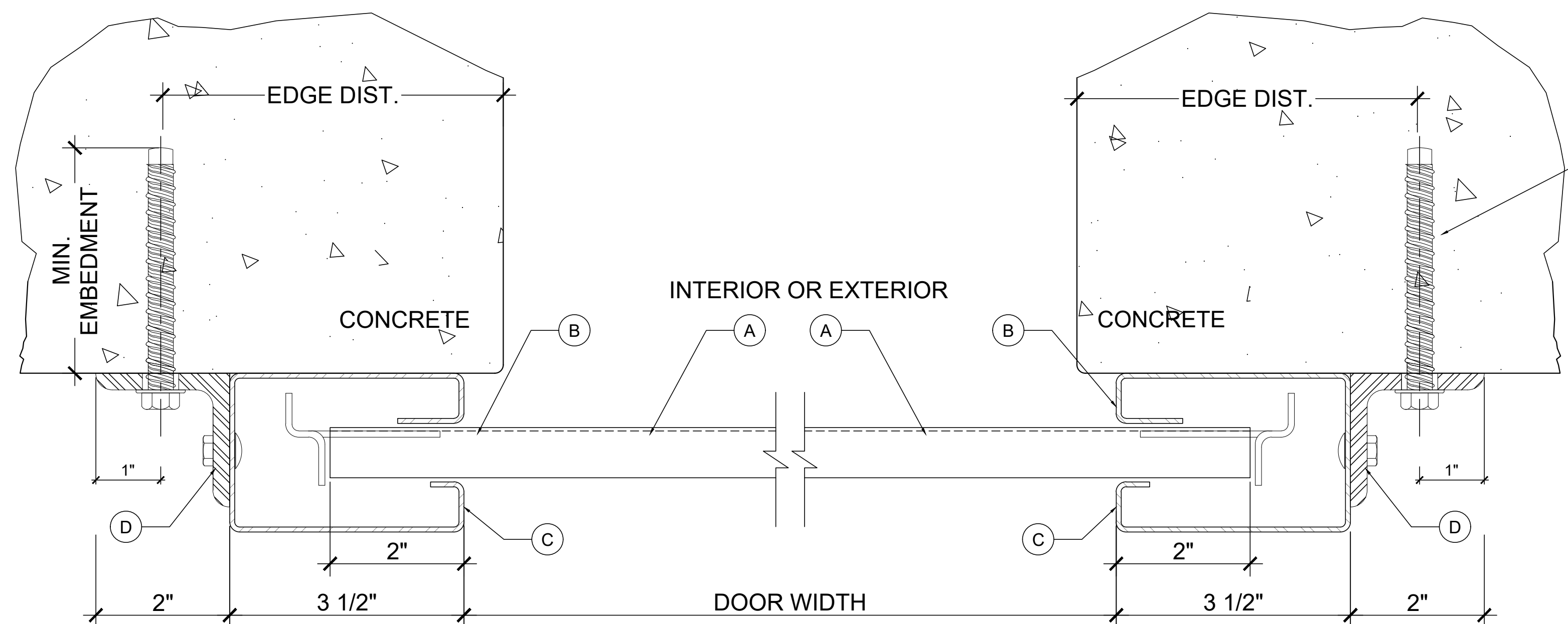
C

TYPICAL ANCHOR
SEE CHART ON
SHEET 3

2" x 2" x 1/8"
STEEL
ANGLE 11 7/8"
LONG
AT EACH END



D BOTTOM BAR DETAIL



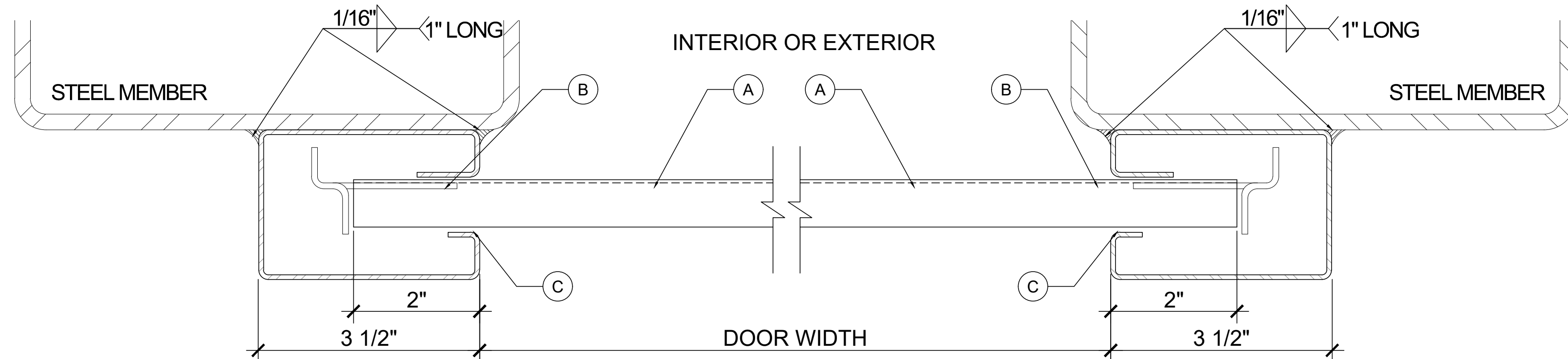
B

C

TYPICAL ANCHOR
SEE CHART ON
SHEET 3

NOTES:
DOOR MAY BE INSTALLED ON THE INSIDE OR
OUTSIDE OF AN EXISTING OPENING.

THE DETAILS CAN BE USED IN ANY
COMBINATION.



B

C

YIPING WANG, P.E.
FLORIDA REGISTRATION
PE #55983
C.A.N. 28677

NO.	DATE	DESCRIPTION
1	9.24.2018	UPDATE TO FBC 2017
2	3.3.2021	UPDATE TO FBC 2020

MCY
MCY ENGINEERING, INC.
GLAZING CONSULTANTS
12781 MIRAMAR PARKWAY #301 P: 305.271.0117
MIRAMAR, FL 33027
www.MCYEngineering.com MCY@mcyengineering.com

SERIES 1675 ROLLING DOOR (LMI & SMI)
SOUTH FLORIDA ROLLING DOORS, INC.
3590 NW 34TH ST.
MIAMI, FL 33142
P: (305) 556 - 6633 P: (305) 362 - 9477

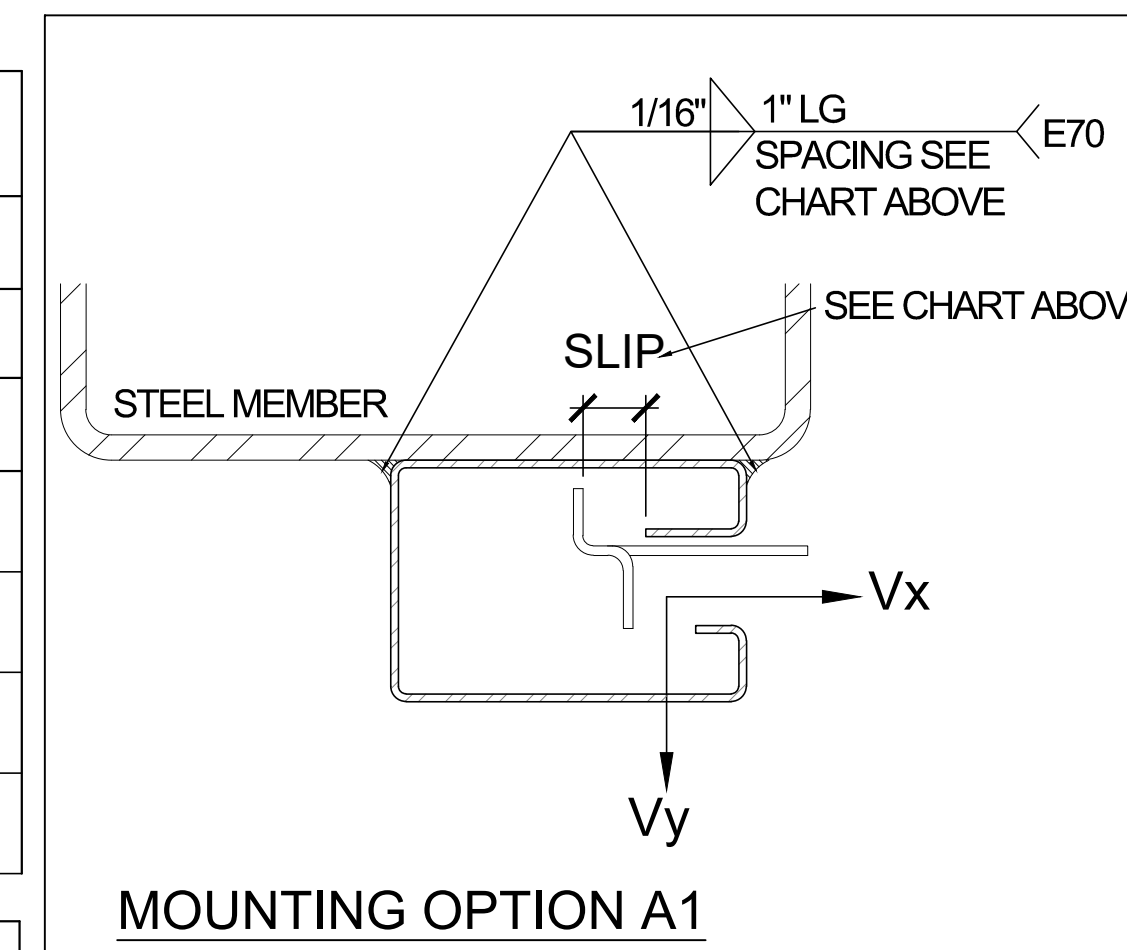
FL#	18604
DATE	03.03.2021
SCALE	AS NOTED
DRAWN	MCY

DRAWING NO.
AD14-11

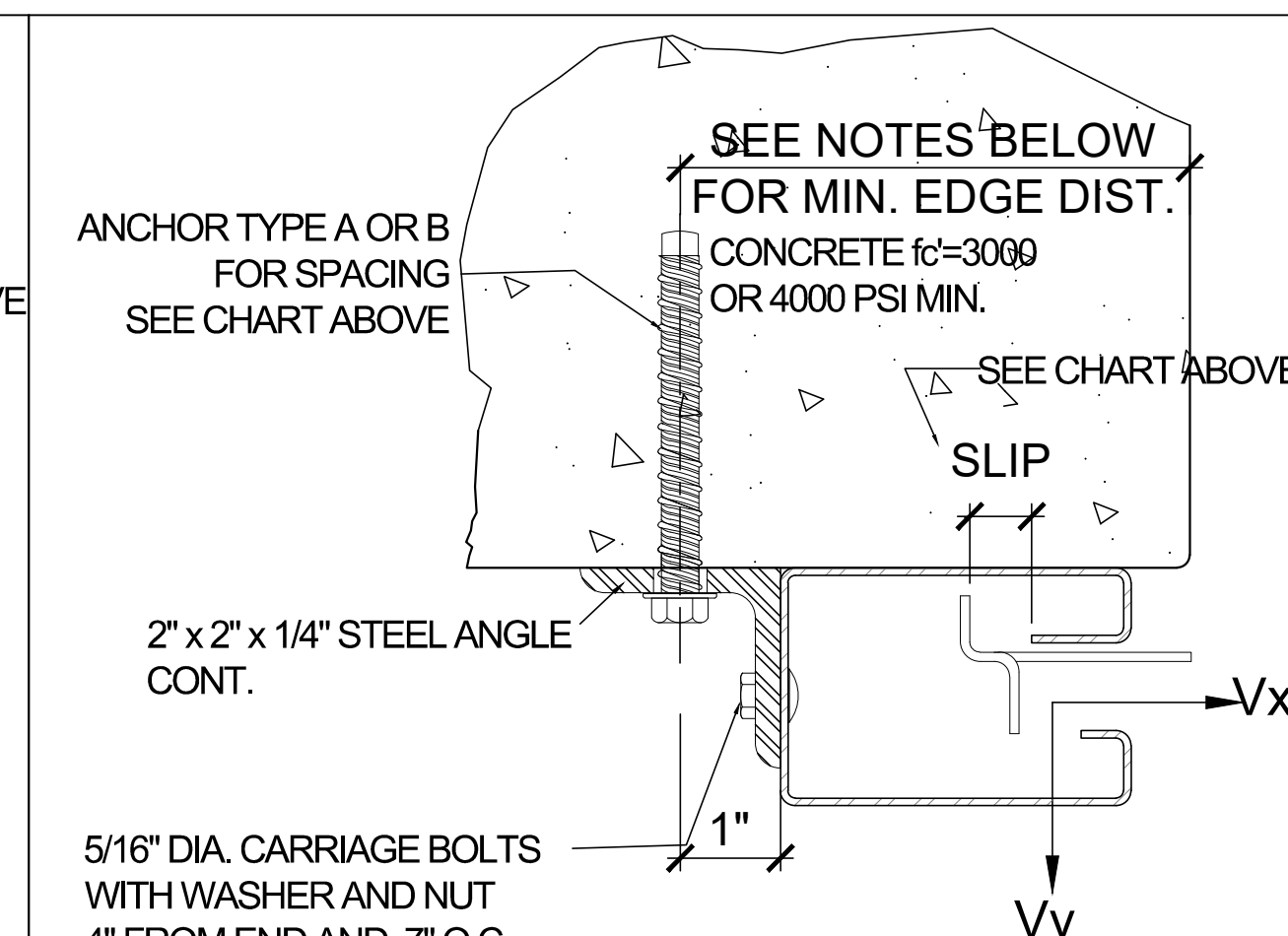
SHEET 2 of 4

MAXIMUM DESIGN LOAD (PSF)	DOOR WIDTH (IN)	DESIGN SLIP (IN)	MAX. LOADS AT EACH SIDE OF JAMB		ANCHOR SPACING (INCHES)						
			V _x (LB/FT)	V _y (LB/FT)	MOUNTING A1	MOUNTING A2			MOUNTING A3		
					TYPE D	TYPE A	TYPE B	TYPE C	TYPE A	TYPE B	TYPE C
±68	≤ 201.5	3/4	2050	591	7 1/2"	4 1/8"	6 1/4"	8"	4 3/4"	6 7/8"	8"
	180	1/2	2043	530	7 3/4"	4 1/8"	6 1/4"	8"	4 5/8"	6 7/8"	8"
	156	3/8	1818	462	8 3/4"	4 5/8"	7"	8"	5 1/4"	7 3/4"	8"
	132	1/4	1600	394	10"	5 1/4"	8"	8"	6"	8"	8"

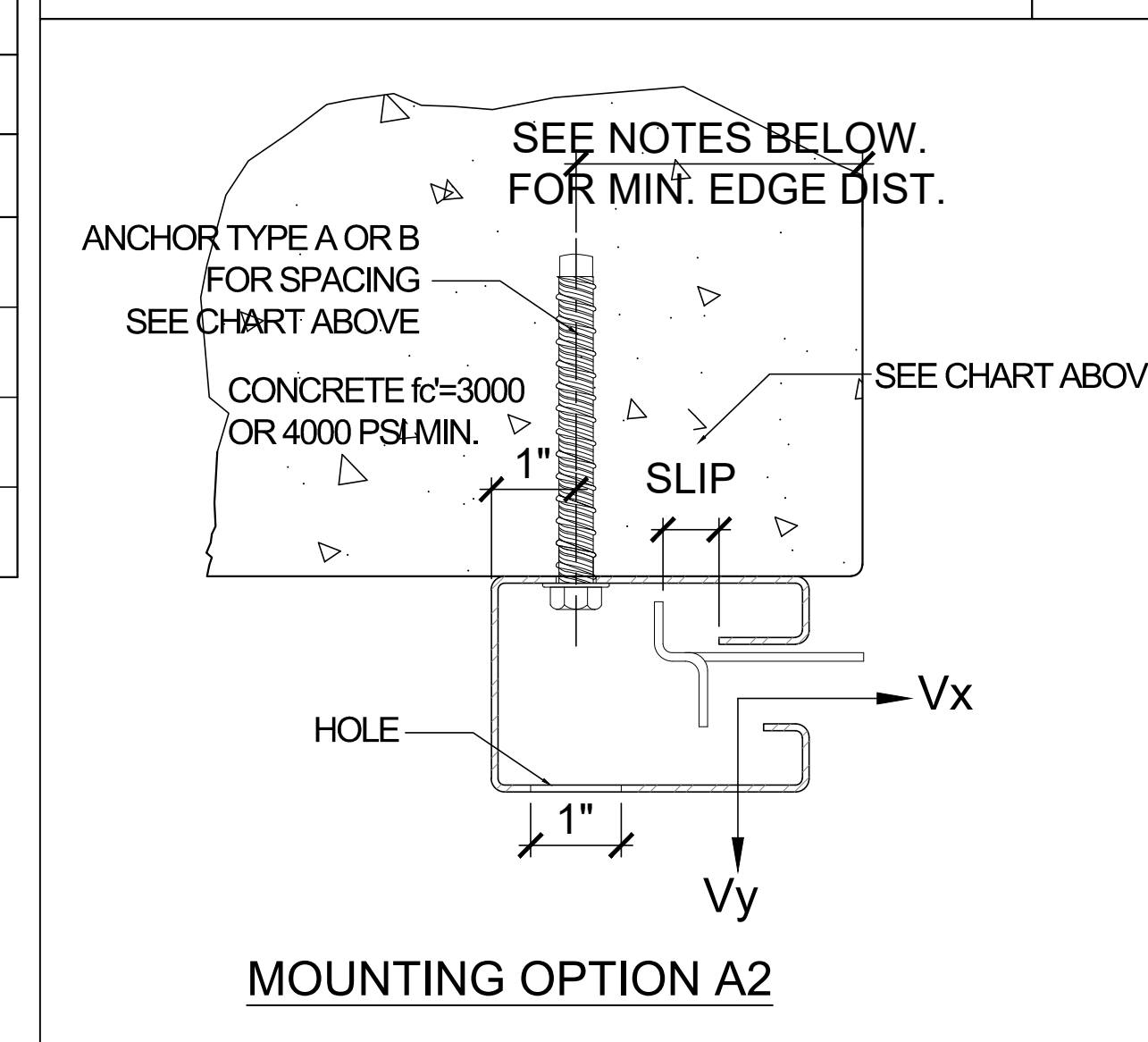
MAXIMUM DESIGN LOAD (PSF)	DOOR WIDTH (IN)	DESIGN SLIP (IN)	MAX. LOADS AT EACH SIDE OF JAMB		ANCHOR SPACING (INCHES)						
			V _x (LB/FT)	V _y (LB/FT)	MOUNTING A1	MOUNTING A2			MOUNTING A3		
					TYPE D	TYPE A	TYPE B	TYPE C	TYPE A	TYPE B	TYPE C
±75	≤ 201.5	3/4	2265	652	7 1/2"	-	6 5/8"	7 3/4"	5"	7 1/4"	8 1/4"
	180	1/2	2261	584	7 3/4"	-	6 5/8"	7 3/4"	5"	7 1/4"	8 1/4"
	156	3/8	2022	509	8 3/4"	5"	7 3/8"	8"	5 5/8"	8 1/8"	8 1/4"
	132	1/4	1794	434	10"	5 5/8"	8"	8"	6 3/8"	8 1/4"	8 1/4"



MOUNTING OPTION A1



MOUNTING OPTION A3



MOUNTING OPTION A2

TYPICAL ANCHORS @ JAMB:

(SEE CHART FOR SPACING)

TYPE A. 1/2" DIA. LDT ANCHOR BY ITW (SEE CHART FOR SPACING) DIRECTLY INTO fc'=3000 OR 4000 PSI CONCRETE, 4 1/2" MIN. EMBED.
MIN EDGE 4" @ MOUNTING A2
MIN EDGE 4" @ MOUNTING A3

TYPE B. 3/8" DIA. WEDGE BOLT ANCHOR BY POWER DIRECTLY INTO CONCRETE fc'=3000 OR 4000 PSI MIN. 3 1/2" MIN. EMBED
MIN EDGE 4" @ MOUNTING A2
MIN EDGE 4" @ MOUNTING A3

TYPE C. 1/2" DIA. WEDGE BOLT ANCHOR BY POWER DIRECTLY INTO CONCRETE fc'=3000 OR 4000 PSI MIN. 4" MIN. EMBED
MIN EDGE 5" @ MOUNTING A2
MIN EDGE 5" @ MOUNTING A3

TYPE D 1/16" x 1" LONG WELDS ELECTRODE E70 WELDED TO STEEL 3/16" MIN. THICK STEEL : F_y = 36 KSI MIN. MOUNTING A1

TYPE E. 5/16 DIA. CARRIAGE BOLTS W/ WASHER & NUTS CONNECT STEEL ANGLE TO TRACK @ 7" O.C. MOUNTING A3

NO	DATE	DESCRIPTION
1	9.24.2018	UPDATE TO FBC 2017
2	3.3.2021	UPDATE TO FBC 2020

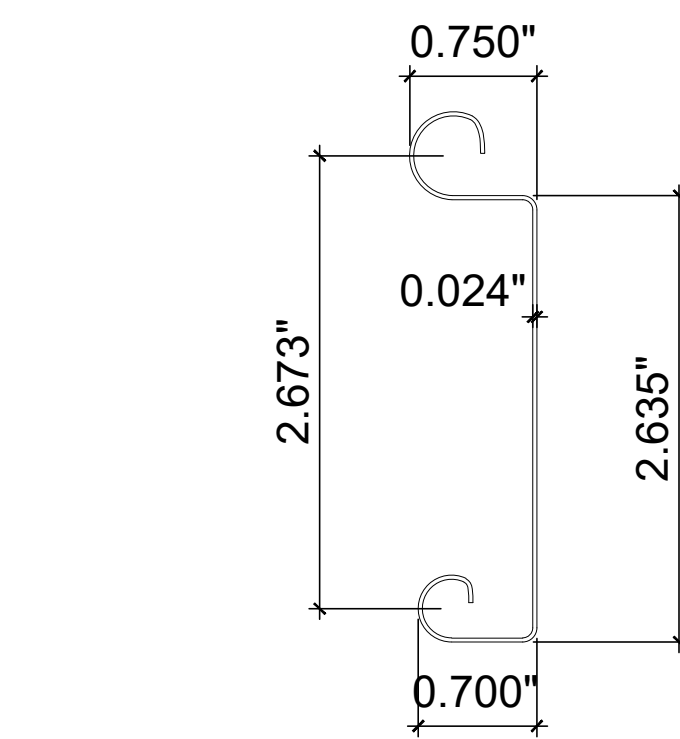
MCY ENGINEERING, INC.
GLAZING CONSULTANTS
12781 MIRAMAR PARKWAY #301 P: 305.271.0117
MIRAMAR, FL 33027
www.MCYEngineering.com MCY@mcycyengineering.com

SERIES 1675 ROLLING DOOR (LMI & SMI)
SOUTH FLORIDA ROLLING DOORS, INC.
3590 NW 34TH ST.
MIAMI, FL 33142
P: (305) 556 - 6633 P: (305) 362 - 9477

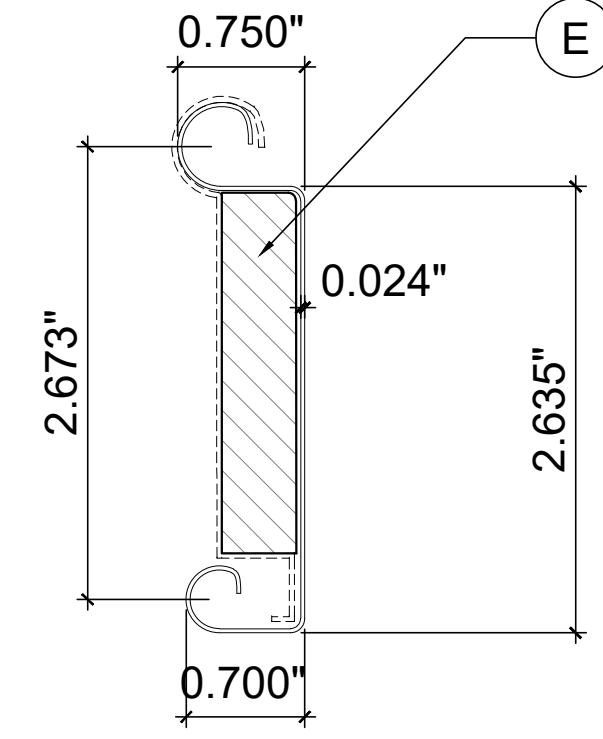
YIPING WANG, P.E.
FLORIDA REGISTRATION
PE #55983
C.A.N. 28677

FL#	18604
DATE	03.03.2021
SCALE	AS NOTED
DRAWN	MCY

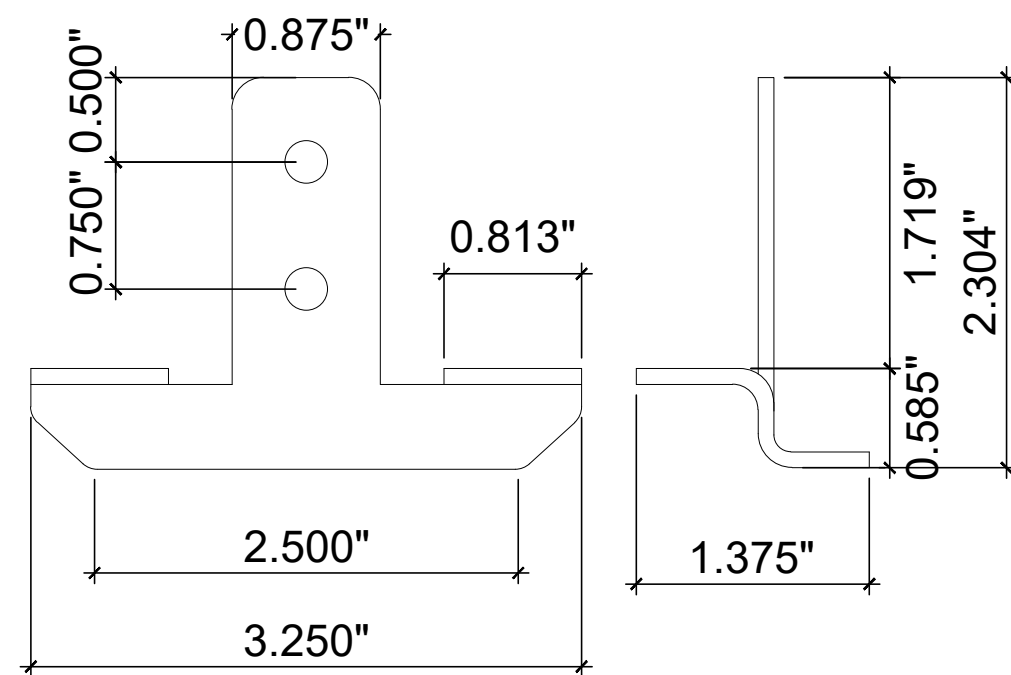
DRAWING NO.
AD14-11



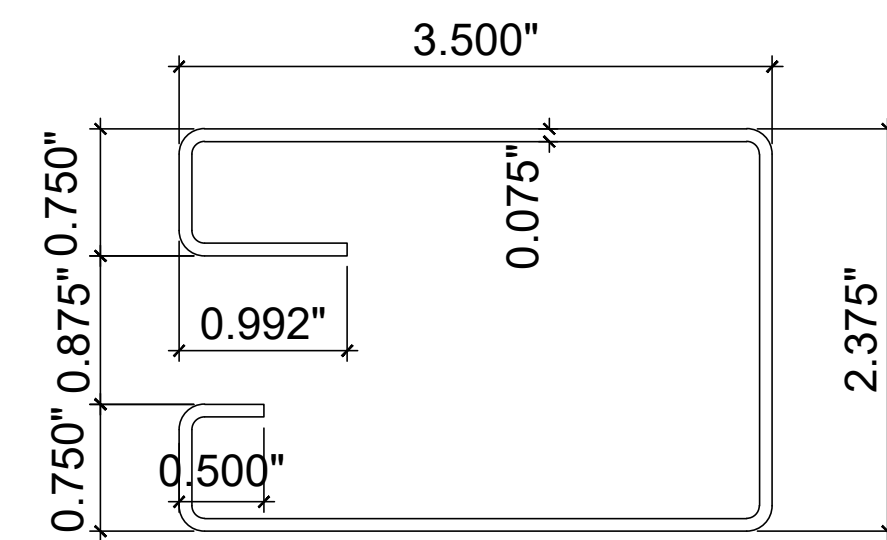
A FLAT SLAT PROFILE
24 GA



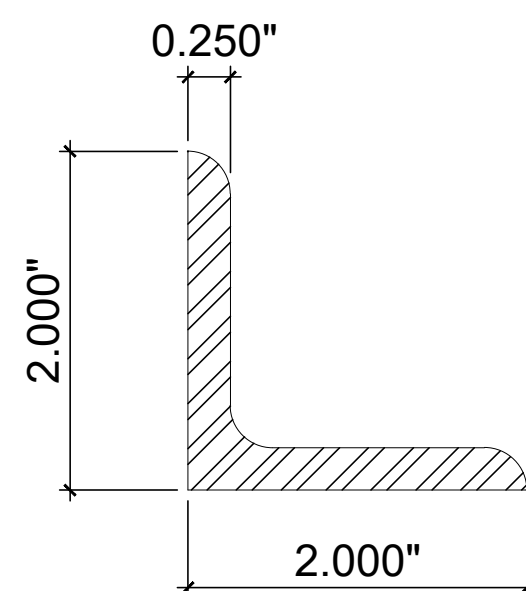
A INSULATED FLAT SLAT
OPTIONAL 24 GA



B WINDLOCKS
11 GA



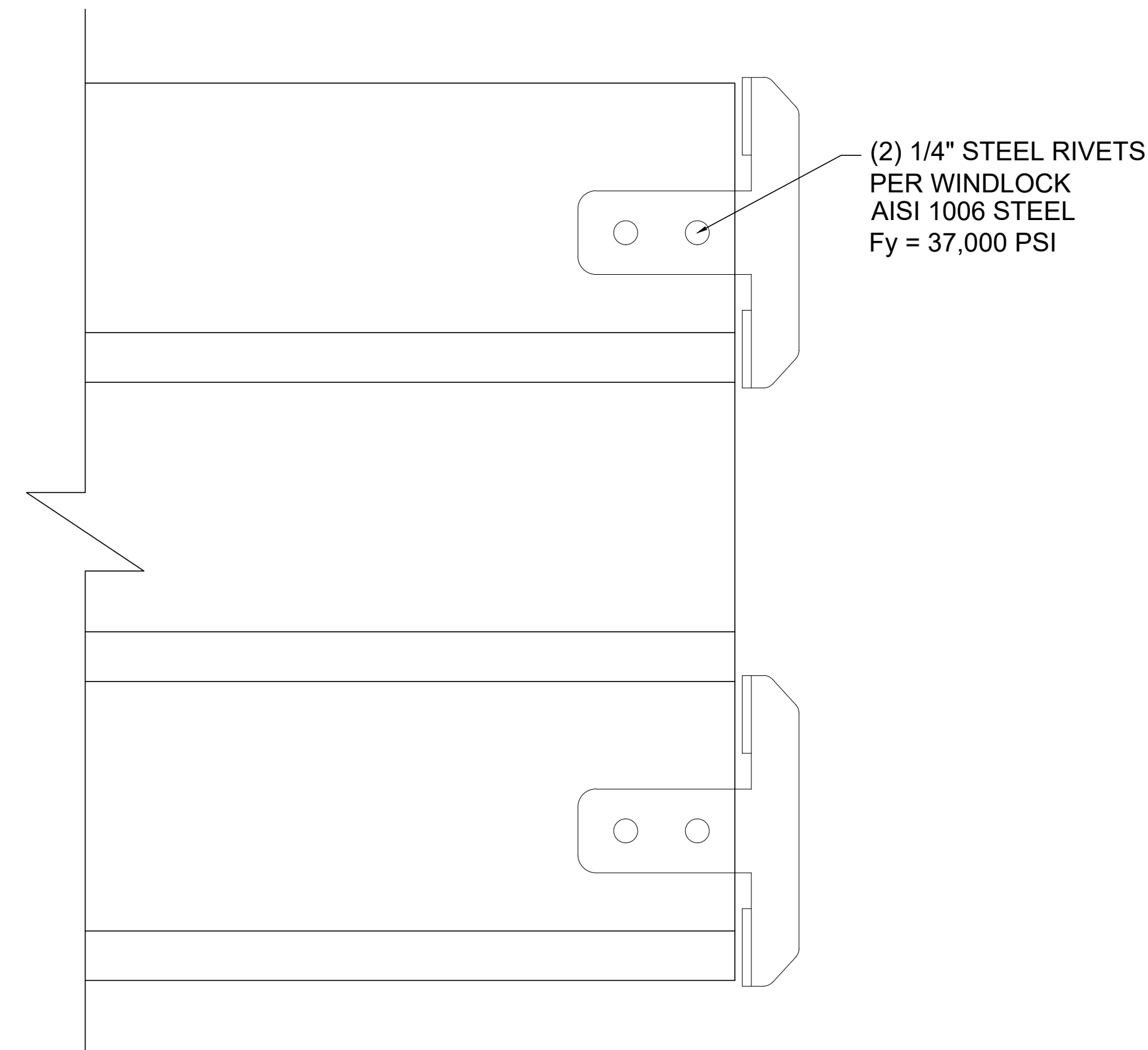
C ROLLFORMED STEEL TRACK



D 2 x 2 x 1/4" STEEL ANGLE

BILL OF MATERIALS

ITEM #	QTY.	DESCRIPTION	MATERIAL	MANUFACTURER/REMARKS
A	AS REQD	24GA (0.024") FLAT SLAT	GALVANIZED STEEL OR STAINLESS STEEL	ASTM A653 Fy = 57 KSI OR STAINLESS STEEL AISI 304 Fy = 57KSI . SOUTH FLORIDA ROLLING DOOR, CORP
B	EVERY OTHER SLAT	11 GA WINDLOCKS	PLATED STEEL	ASTM A36 MIN. SOUTH FLORIDA ROLLING DOOR, CORP.
C	2 PER FRAME	ROLLFORMED STEEL TRACK	GALVANIZED STEEL	ASTM A36 MIN.
D	AS REQD.	2 x 2 x 1/4" STEEL ANGLE	GALVANIZED STEEL	ASTM A36 MIN.
E	AS REQD.	EXPANDED POLYSTYRENE BLOCK TYPE INSULATION	POLYSTYRENE	DYPLAST PRODUCTS LLC. (NOA 11-0926.07)



INTERLOCKING SLATS W/ WINDLOCKS @ EVERY OTHER SLAT

NO.	DATE	DESCRIPTION
1	9.24.2018	UPDATE TO FBC 2017
2	3.3.2021	UPDATE TO FBC 2020

MCY ENGINEERING, INC.
GLAZING CONSULTANTS
12781 MIRAMAR PARKWAY #301 P: 305.271.0117
MIRAMAR, FL 33027
www.MCYEngineering.com MCY@mcycyengineering.com

SERIES 1675 ROLLING DOOR (LMI & SMI)
SOUTH FLORIDA ROLLING DOORS, INC.
3590 NW 34TH ST.
MIAMI, FL 33142
P: (305) 556 - 6633 P: (305) 362 - 9477

YIPING WANG, P.E.
FLORIDA REGISTRATION
PE #55983
C.A.N. 28677

FL#	18604
DATE	03.03.2021
SCALE	AS NOTED
DRAWN	MCY

DRAWING NO.
AD14-11

SHEET 4 of 4