



DEPARTMENT OF REGULATORY AND ECONOMIC RESOURCES (RER)  
BOARD AND CODE ADMINISTRATION DIVISION

**NOTICE OF ACCEPTANCE (NOA)**

MIAMI-DADE COUNTY  
PRODUCT CONTROL SECTION  
11805 SW 26 Street, Room 208  
Miami, Florida 33175-2474  
T (786) 315-2590 F (786) 315-2599  
[www.miamidade.gov/economy](http://www.miamidade.gov/economy)

**South Florida Rolling Doors, Inc.**  
3590 NW 34 Street  
Miami, FL 33142

**SCOPE:** This NOA is being issued under the applicable rules and regulations governing the use of construction materials. The documentation submitted has been reviewed and accepted by Miami-Dade County RER-Product Control Section to be used in Miami Dade County and other areas where allowed by the Authority Having Jurisdiction (AHJ). This NOA shall not be valid after the expiration date stated below. The Miami-Dade County Product Control Section (In Miami Dade County) and/or the AHJ (in areas other than Miami Dade County) reserve the right to have this product or material tested for quality assurance purposes. If this product or material fails to perform in the accepted manner, the manufacturer will incur the expense of such testing and the AHJ may immediately revoke, modify, or suspend the use of such product or material within their jurisdiction. RER reserves the right to revoke this acceptance, if it is determined by Miami-Dade County Product Control Section that this product or material fails to meet the requirements of the applicable building code.

This product is approved as described herein and has been designed to comply with the Florida Building Code, including the High Velocity Hurricane Zone.

**DESCRIPTION: Series 1675 Steel Roll-up Door up to 16'-9 1/2" Wide**

**APPROVAL DOCUMENT:** Drawing No. **AD14-11**, titled "Series 1675 Rolling Door (LMI & SMI)", sheets 1 through 4 of 4, dated 08/24/2023, with revision #2 dated 08/24/2023, prepared by MCY Engineering, Inc., signed and sealed by Yiping Wang, P.E., bearing the Miami-Dade County Product Control revision stamp with the Notice of Acceptance number and the expiration date by the Miami-Dade County Product Control Section.

**MISSILE IMPACT RATING: Large and Small Missile Impact Resistant**

**LABELING:** A permanent label with the manufacturer's name or logo, manufacturing address, model number, the positive and negative design pressure rating, indicate impact rated if applicable, installation instruction drawing reference number, approval number (NOA), the applicable test standards, and the statement reading 'Miami-Dade County Product Control Approved' is to be located on the door's side track, bottom angle, or inner surface of a panel.

**RENEWAL** of this NOA shall be considered after a renewal application has been filed and there has been no change in the applicable building code negatively affecting the performance of this product.

**TERMINATION** of this NOA will occur after the expiration date or if there has been a revision or change in the materials, use, and/or manufacture of the product or process. Misuse of this NOA as an endorsement of any product, for sales, advertising or any other purposes shall automatically terminate this NOA. Failure to comply with any section of this NOA shall be cause for termination and removal of NOA.

**ADVERTISEMENT:** The NOA number preceded by the words Miami-Dade County, Florida, and followed by the expiration date may be displayed in advertising literature. If any portion of the NOA is displayed, then it shall be done in its entirety.

**INSPECTION:** A copy of this entire NOA shall be provided to the user by the manufacturer or its distributors and shall be available for inspection at the job site at the request of the Building Official.

This NOA revises **NOA #20-0312.02** and consists of this page 1 and evidence pages E-1 and E-2, as well as approval document mentioned above.

The submitted documentation was reviewed by **Helmy A. Makar, P.E., M.S.**



*Helmy A. Makar*  
02/29/24

NOA No. 23-0828.06  
Expiration Date: 04/16/2025  
Approval Date: 02/29/2024  
Page 1

**NOTICE OF ACCEPTANCE: EVIDENCE SUBMITTED**

**1. Evidence submitted under NOA # 14-1001.05**

**A. DRAWINGS**

1. Drawing No. **AD14-11**, titled "Series 1675 Rolling Door (LMI & SMI)", sheets 1 through 4 of 4, dated 09/24/2014, prepared by MCY Engineering, Inc., signed and sealed by Yiping Wang, P.E.

**B. TESTS**

1. Test reports on 1) Uniform Static Air Pressure Test, Loading per FBC, TAS 202-94  
2) Large Missile Impact Test per FBC, TAS 201-94  
3) Cyclic Wind Pressure Loading per FBC, TAS 203-94  
4) Forced Entry Test, per FBC, TAS 202-94  
5) Tensile Test per ASTM E8,

Along with marked-up drawings and installation diagram of Series 1675 Rolling Doors, prepared by Fenestration Testing Laboratory, Inc., Test Report No. **FTL-7811**, dated 08/20/2014, signed and sealed by Idalmis Ortega, P.E.

**C. CALCULATIONS**

1. Calculations of Series 1675 Rolling Door, prepared by MCY Engineering, Inc., dated 09/23/2014, signed and sealed by Yiping Wang, P.E.

**D. QUALITY ASSURANCE**

1. Miami-Dade Department of Regulatory and Economic Resources (RER)

**E. MATERIAL CERTIFICATIONS**

1. Notice of acceptance No. **11-0926.07** issued to Dyplast Products LLC for their Expanded Polystyrene Block Type Insulation, approved on 11/10/2011 and expiring on 01/11/2017.
2. Mill certificate issued by Century Metals & Supplies, Inc., dated 10/22/2014.

**F. STATEMENTS**

1. Statement letter of code conformance to the 2010 and the 5<sup>th</sup> edition (2014) FBC and of no financial interest, prepared by MCY Engineering, Inc., dated 09/29/2014, signed and sealed by Yiping Wang, P.E.

**2. Evidence submitted under NOA # 18-0828.10**

**A. DRAWINGS**


1. Drawing No. **AD14-11**, titled "Series 1675 Rolling Door (LMI & SMI)", sheets 1 through 4 of 4, dated 09/24/2014, with revision 1 dated 02/18, prepared by MCY Engineering, Inc., signed and sealed by Yiping Wang, P.E.

**B. TESTS**

1. None.

**C. CALCULATIONS**

1. None.

  
\_\_\_\_\_  
Helmy A. Makar, P.E., M.S.  
Product Control Section Supervisor  
NOA No. 23-0828.06  
Expiration Date: 04/16/2025  
Approval Date: 02/29/2024

**NOTICE OF ACCEPTANCE: EVIDENCE SUBMITTED**

**D. QUALITY ASSURANCE**

1. Miami-Dade Department of Regulatory and Economic Resources (RER)

**E. MATERIAL CERTIFICATIONS**

1. Notice of acceptance No. **17-1207.04** issued to Dyplast Products LLC for their E and R Expanded Polystyrene Rigid Foam Insulations, approved on 02/01/2018 and expiring on 01/11/2022.

**F. STATEMENTS**

1. Statement letter of code conformance to the 6<sup>th</sup> edition (2017) FBC issued by MCY Engineering, Inc., dated 03/12/2020, signed and sealed by Yiping Wang, P.E.

**3. NEW EVIDENCE SUBMITTED**

**A. DRAWINGS**

1. *Drawing No. AD14-11, titled "Series 1675 Rolling Door (LMI & SMI)", sheets 1 through 4 of 4, dated 08/24/2023, with revision #2 dated 08/24/2023, prepared by MCY Engineering, Inc., signed and sealed by Yiping Wang, P.E.,*

**B. TESTS**

1. None.

**C. CALCULATIONS**

1. None.

**D. QUALITY ASSURANCE**

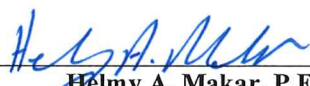
1. Miami-Dade Department of Regulatory and Economic Resources (RER)

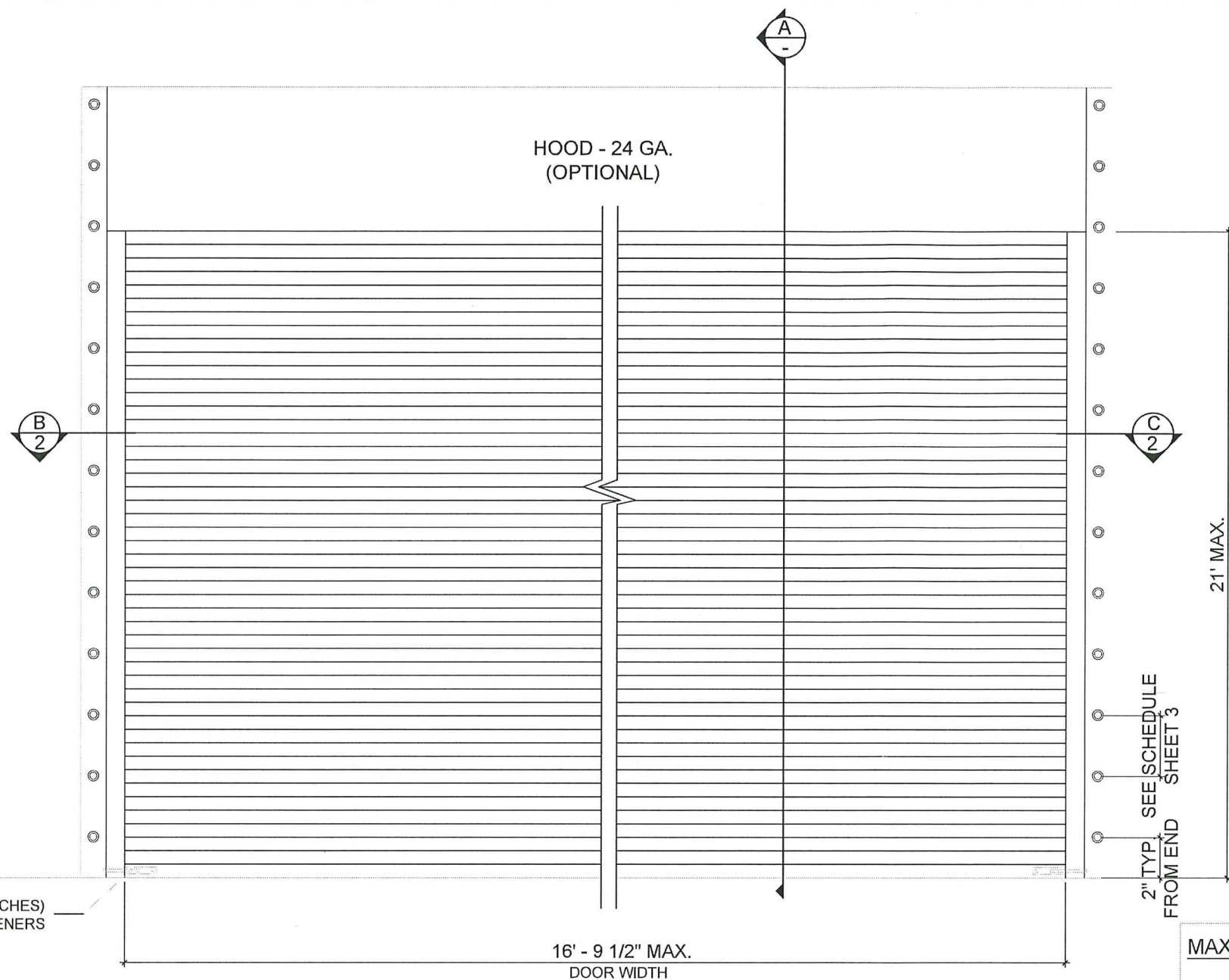
**E. MATERIAL CERTIFICATIONS**

1. Notice of acceptance No. **17-1207.04** issued to Dyplast Products LLC for their E and R Expanded Polystyrene Rigid Foam Insulations, approved on 02/01/2018 and expiring on 01/11/2022.

**F. STATEMENTS**

1. Statement letter of code conformance to the 8<sup>th</sup> edition (2023) FBC issued by MCY Engineering, Inc., dated 08/24/2024, signed and sealed by Yiping Wang, P.E.

  
\_\_\_\_\_  
Helmy A. Makar, P.E., M.S.  
Product Control Section Supervisor  
NOA No. 23-0828.06  
Expiration Date: 04/16/2025  
Approval Date: 02/29/2024



STEEL SLIDE BOLTS (LATCHES) AND FASTENERS

16' - 9 1/2" MAX.  
DOOR WIDTH

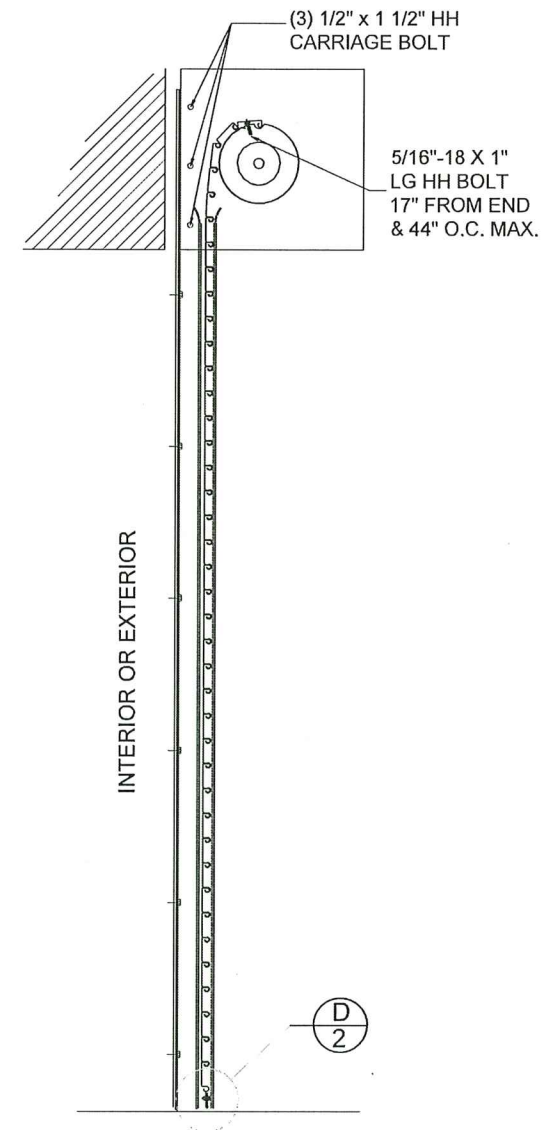
MAX. DESIGN LOADS  
+ 75 PSF  
- 75 PSF

**TYPICAL ELEVATION**

**GENERAL NOTES:**

- THIS PRODUCT HAS BEEN DESIGNED AND TESTED TO COMPLY WITH THE REQUIREMENTS OF THE 2020 FLORIDA BUILDING CODE 7TH EDITION/ 2023 FLORIDA BUILDING CODE 8TH EDITION. INCLUDED HIGH VELOCITY HURRICANE ZONE (HVHZ).
- THE ROLLING UP DOOR HAVE BEEN TESTED AS PER FBC 2020/ FBC 2023 TAS 201, 202 AND 203 FOR LARGE MISSILE IMPACT. FORCE ENTRY RESISTANCE TEST PER AAMA 1703.5.
- DESIGN LOAD SHALL BE DETERMINED BASED ON BASIC WIND SPEED, BUILDING HEIGHT AND WIND ZONE USING APPLICABLE ASCE 7-22 STANDARD.
- MANUFACTURER'S LABEL SHALL BE LOCATED ON A READILY VISIBLE LOCATION IN ACCORDANCE WITH SECTION 1709.9.3 OF FLORIDA BUILDING CODE LABELING TO COMPLY WITH SECTION 1709.9.2.
- ULTIMATE DESIGN LOAD OBTAINED FROM ASCE 7 MULTIPLY BY 0.6 SHALL BE LESS THAN OR EQUAL TO DESIGN LOAD IN THIS DOCUMENT.

- HOOD TO BE 24 GA. ASTM A653 DESIGNATION G - 90 FINISH TYPE COATING
- ANCHORS SHALL BE AS LISTED, SPACED AS SHOWN ON DETAILS. ANCHORS EMBEDMENT TO BASE MATERIAL SHALL BE BEYOND WALL DRESSING OR STUCCO.
- ANCHORING OR LOADING CONDITIONS NOT SHOWN IN THESE DETAILS ARE NOT PART OF THIS APPROVAL.
- MATERIALS INCLUDING BUT NOT LIMITED TO STEEL/METAL SCREWS THAT COME INTO CONTACT WITH OTHER DISSIMILAR MATERIALS SHALL MEET THE REQUIREMENTS OF 2020/ 2023 FLORIDA BUILDING CODE SECTION AS APPLICABLE.
- IT SHALL BE THE RESPONSIBILITY OF THE CONTRACTOR TO VERIFY THAT THE EXISTING STRUCTURE IS DESIGNED TO SUPPORT Vx & Vy FORCES AT BOTH JAMBS. REFER TO SHEET 3 FOR Vx AND Vy.



**SECTION A-A**

MIAMI DADE COUNTY  
**PRODUCT REVISED**  
 as complying with the Florida Building Code  
 Acceptance No. 23-0828-01  
 Expiration Date 04/16/2025  
 By H. J. A. [Signature]  
 Miami Dade Product Control

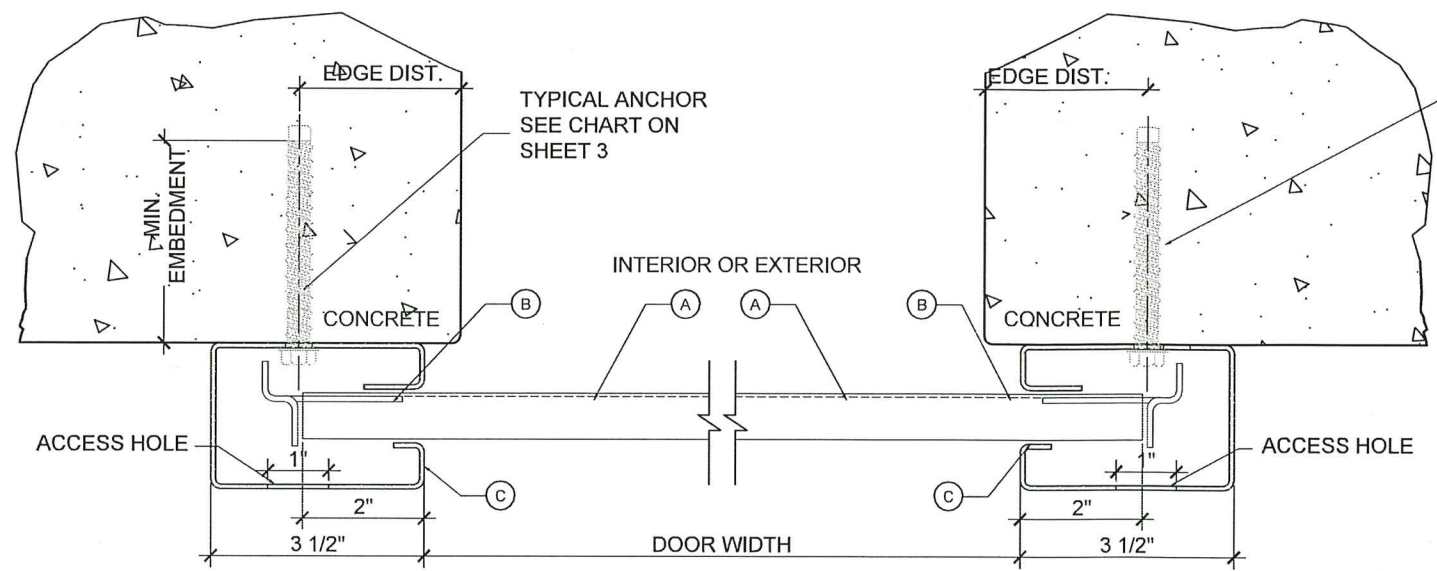
YIPING WANG  
 ENGINEER  
 REGISTRATION NO. 55889  
 STATE OF FLORIDA  
 PROFESSIONAL ENGINEER  
 August 24st, 2023

| NO. | DATE       | DESCRIPTION        |
|-----|------------|--------------------|
| 2   | 08.24.2023 | UPDATE TO FBC 2023 |

**MCY ENGINEERING, INC.**  
 GLAZING CONSULTANTS  
 12781 MIRAMAR PARKWAY #301  
 MIRAMAR, FL 33027  
 P: 305.271.0117  
 www.MCYEngineering.com

SOUTH FLORIDA ROLLING DOORS, INC.  
 3590 NW 34TH ST.  
 MIAMI, FL 33142  
 P: (305) 556-6633 P: (305) 362-9477

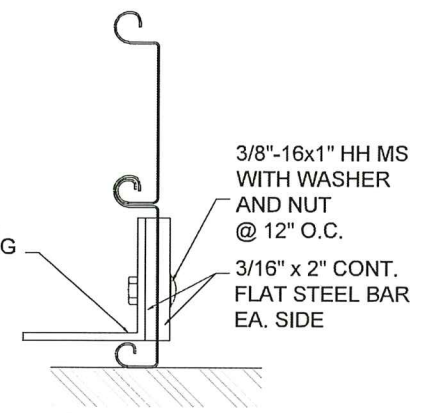
|             |            |
|-------------|------------|
| DATE        | 08.24.2023 |
| SCALE       | AS NOTED   |
| DRAWN       | James      |
| PROJECT     |            |
| DRAWING NO. | AD14-11    |
| SHEET       | 1 of 4     |



(B)

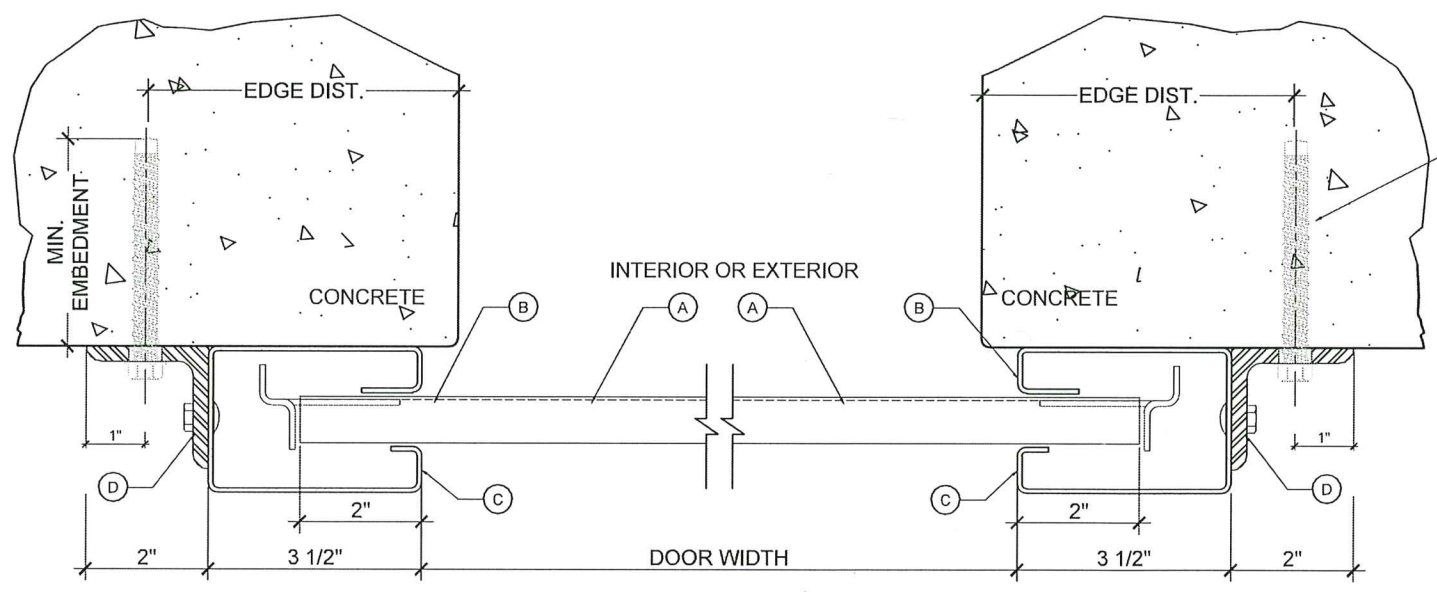
(C)

TYPICAL ANCHOR  
SEE CHART ON  
SHEET 3



(D)

BOTTOM BAR DETAIL

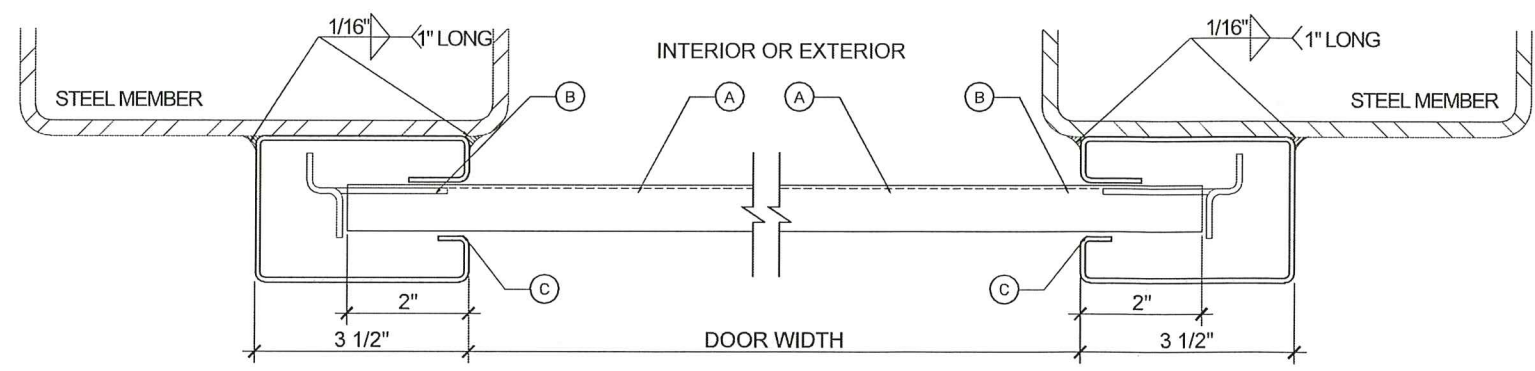


(B)

(C)

TYPICAL ANCHOR  
SEE CHART ON  
SHEET 3

NOTES:  
DOOR MAY BE INSTALLED ON THE INSIDE OR  
OUTSIDE OF AN EXISTING OPENING.  
  
THE DETAILS CAN BE USED IN ANY  
COMBINATION.



(B)

(C)

| NO. | DATE       | DESCRIPTION        |
|-----|------------|--------------------|
| 2   | 08.24.2023 | UPDATE TO FBC 2023 |

**MCY ENGINEERING, INC.**  
GLAZING CONSULTANTS  
12781 MIRAMAR PARKWAY #301  
MIRAMAR, FL 33027  
P: 305.271.0117  
www.MCYEngineering.com

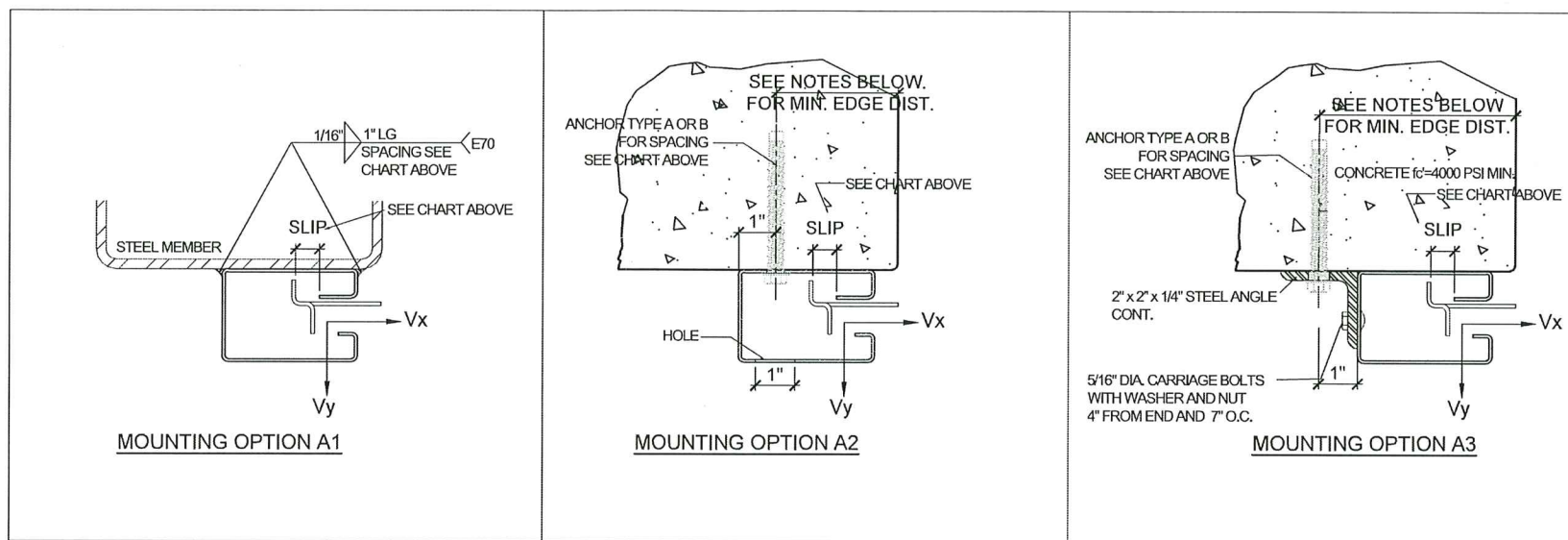
SERIES 1675 ROLLING DOOR (LMI & SMI)  
SOUTH FLORIDA ROLLING DOORS, INC.  
3590 NW 34TH ST.  
MIAMI, FL 33142  
P: (305) 556 - 6633 P: (305) 362 - 9477

MIAMI DADE COUNTY  
PRODUCT REVISED  
as complying with the Florida  
Building Code  
Acceptance No. 23-0828.08  
Expiration Date 08/16/2029  
By: *Holly A. Miller*  
Miami Dade Product Control

YIPING WANG  
FLORIDA REGISTRATION  
No. 55983  
G.A.N. 53887  
STATE OF  
FLORIDA  
PROFESSIONAL ENGINEER  
August 24st, 2023

|             |            |
|-------------|------------|
| DATE        | 08.24.2023 |
| SCALE       | AS NOTED   |
| DRAWN       | James      |
| PROJECT     |            |
| DRAWING NO. | AD14-11    |
| SHEET       | 2 of 4     |

| MAXIMUM DESIGN LOAD (PSF) | DOOR WIDTH (IN) | DESIGN SLIP (IN) | MAX. LOADS AT EACH SIDE OF JAMB |                        | ANCHOR SPACING (INCHES) |             |        |        |             |        |        |
|---------------------------|-----------------|------------------|---------------------------------|------------------------|-------------------------|-------------|--------|--------|-------------|--------|--------|
|                           |                 |                  | V <sub>x</sub> (LB/FT)          | V <sub>y</sub> (LB/FT) | MOUNTING A1             | MOUNTING A2 |        |        | MOUNTING A3 |        |        |
|                           |                 |                  |                                 |                        | TYPE D STEEL            | TYPE A      | TYPE B | TYPE C | TYPE A      | TYPE B | TYPE C |
| ±75                       | ≤ 201.5         | 3/4              | 2265                            | 652                    | 7 1/2"                  | -           | 6 5/8" | 7 3/4" | 5"          | 7 1/4" | 8 1/4" |
|                           | 180             | 1/2              | 2261                            | 584                    | 7 3/4"                  | -           | 6 5/8" | 7 3/4" | 5"          | 7 1/4" | 8 1/4" |
|                           | 156             | 3/8              | 2022                            | 509                    | 8 3/4"                  | 5"          | 7 3/8" | 8"     | 5 5/8"      | 8 1/8" | 8 1/4" |
|                           | 132             | 1/4              | 1794                            | 434                    | 10"                     | 5 5/8"      | 8"     | 8"     | 6 3/8"      | 8 1/4" | 8 1/4" |



**TYPICAL ANCHORS @ JAMB:**

(SEE CHART FOR SPACING)

**TYPE A.** 1/2" DIA. LDT ANCHOR BY ITW (SEE CHART FOR SPACING)

DIRECTLY INTO  $f_c'=4000$  PSI CONCRETE, 4 1/2" MIN. EMBED.  
MIN EDGE 4" @ MOUNTING A2  
MIN EDGE 4" @ MOUNTING A3

**TYPE B.** 3/8" DIA. WEDGE BOLT ANCHOR BY POWER

DIRECTLY INTO CONCRETE  $f_c'=4000$  PSI MIN. 3 1/2" MIN. EMBED  
MIN EDGE 4" @ MOUNTING A2  
MIN EDGE 4" @ MOUNTING A3

**TYPE C.** 1/2" DIA. WEDGE BOLT ANCHOR BY POWER

DIRECTLY INTO CONCRETE  $f_c'=4000$  PSI MIN. 4" MIN. EMBED  
MIN EDGE 5" @ MOUNTING A2  
MIN EDGE 5" @ MOUNTING A3

**TYPE D** 1/16" x 1" LONG WELDS ELECTRODE E70

WELDED TO STEEL 3/16" MIN. THICK STEEL :  $F_y = 36$  KSI MIN.  
MOUNTING A1

**TYPE E.** 5/16 DIA. CARRIAGE BOLTS W/ WASHER & NUTS

CONNECT STEEL ANGLE TO TRACK @ 7" O.C.  
MOUNTING A3

MIAMI DADE COUNTY  
PRODUCT REVISED as complying with the Florida Building Code  
Acceptance No. 23-0824.06  
Expiration Date 09/16/2025  
By *Mary A. Miller*  
Miami Dade Product Control

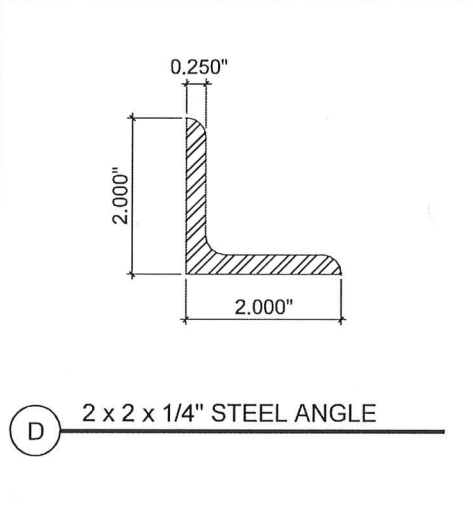
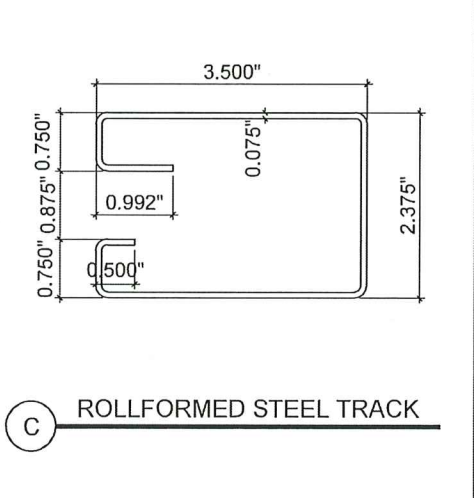
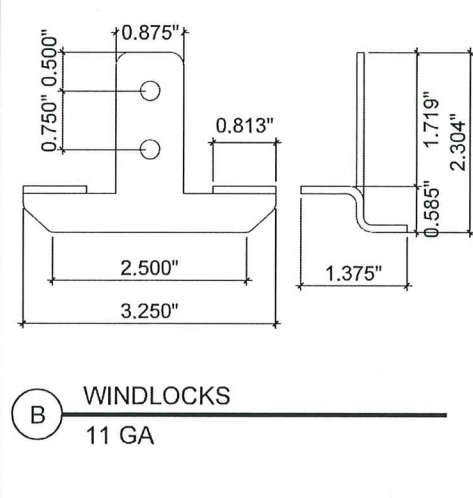
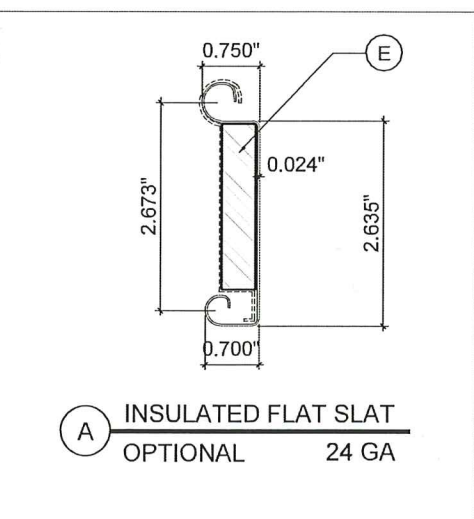
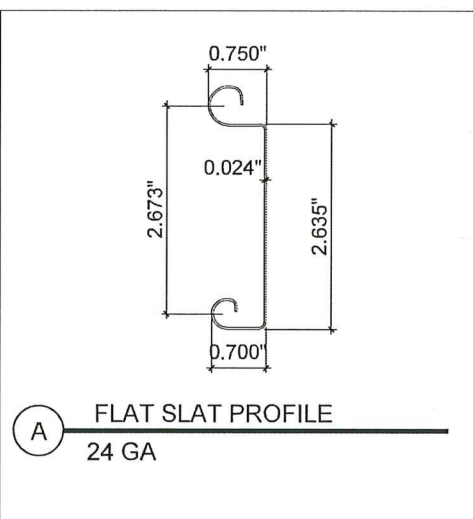
YIENING WANG  
FLORIDA REGISTRATION  
No. 55983  
G.A.N. No. 55983  
STATE OF FLORIDA  
PROFESSIONAL ENGINEER  
August 24st, 2023

| NO. | DATE       | DESCRIPTION        |
|-----|------------|--------------------|
| 2   | 08.24.2023 | UPDATE TO FBC 2023 |

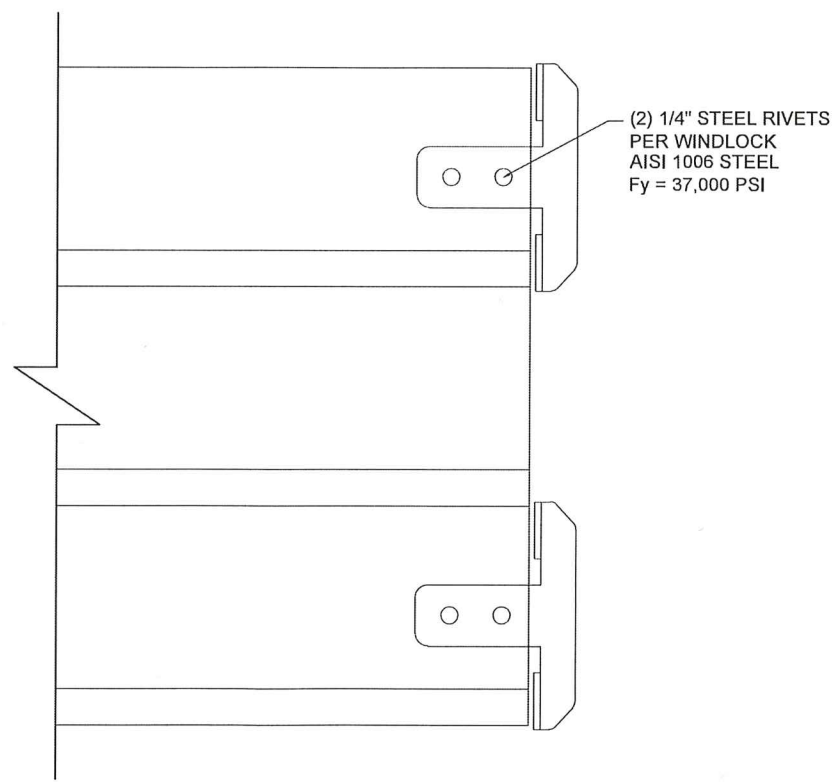
**MCY ENGINEERING, INC.**  
GLAZING CONSULTANTS  
12781 MIRAMAR PARKWAY #301  
MIRAMAR, FL 33027  
P: 305.271.0117  
www.MCYEngineering.com

SERIES 1675 ROLLING DOOR (LMI & SMI)  
SOUTH FLORIDA ROLLING DOORS, INC.  
3590 NW 34TH ST.  
MIAMI, FL 33142  
P: (305) 556-6633 P: (305) 362-9477

|             |            |
|-------------|------------|
| DATE        | 08.24.2023 |
| SCALE       | AS NOTED   |
| DRAWN       | James      |
| PROJECT     |            |
| DRAWING NO. | AD14-11    |
| SHEET       | 3 of 4     |



| BILL OF MATERIALS |                  |                                            |                                     |                                                                                                 |
|-------------------|------------------|--------------------------------------------|-------------------------------------|-------------------------------------------------------------------------------------------------|
| ITEM #            | QTY.             | DESCRIPTION                                | MATERIAL                            | MANUFACTURER/REMARKS                                                                            |
| A                 | AS REQD          | 24GA (0.024") FLAT SLAT                    | GALVANIZED STEEL OR STAINLESS STEEL | ASTM A653 Fy = 57 KSI OR STAINLESS STEEL AISI 304 Fy = 57KSI . SOUTH FLORIDA ROLLING DOOR, CORP |
| B                 | EVERY OTHER SLAT | 11 GA WINDLOCKS                            | PLATED STEEL                        | ASTM A36 MIN. SOUTH FLORIDA ROLLING DOOR, CORP.                                                 |
| C                 | 2 PER FRAME      | ROLLFORMED STEEL TRACK                     | GALVANIZED STEEL                    | ASTM A36 MIN.                                                                                   |
| D                 | AS REQD.         | 2 x 2 x 1/4" STEEL ANGLE                   | GALVANIZED STEEL                    | ASTM A36 MIN.                                                                                   |
| E                 | AS REQD.         | EXPANDED POLYSTYRENE BLOCK TYPE INSULATION | POLYSTYRENE                         | DYPLAST PRODUCTS LLC. (NOA 11-0926.07)                                                          |



**INTERLOCKING SLATS W/ WINDLOCKS  
@ EVERY OTHER SLAT**

MIAMI DADE COUNTY  
**PRODUCT REVISED**  
 as complying with the Florid..  
 Building Code  
 Acceptance No 23-0828-06  
 Expiration Date 04/16/2025  
 By *[Signature]*  
 Miami Dade Product Control

YIPING WANG  
 PROFESSIONAL ENGINEER  
 REG. NO. 55983  
 C.A.N. 28877  
 No 55983  
 STATE OF FLORIDA  
 August 24st, 2023

| NO. | DATE       | DESCRIPTION        |
|-----|------------|--------------------|
| 2   | 08.24.2023 | UPDATE TO PFC 2023 |

**MCY ENGINEERING, INC.**  
 GLAZING CONSULTANTS  
 12781 MIRAMAR PARKWAY #301  
 MIRAMAR, FL 33027  
 P: 305.271.0117  
 www.MCYEngineering.com

SERIES 1675 ROLLING DOOR (LMI & SMI)  
 SOUTH FLORIDA ROLLING DOORS, INC.  
 3590 NW 34TH ST.  
 MIAMI, FL 33142  
 P: (305) 556 - 6633 P: (305) 362 - 9477

|             |            |
|-------------|------------|
| DATE        | 08.24.2023 |
| SCALE       | AS NOTED   |
| DRAWN       | James      |
| PROJECT     |            |
| DRAWING NO. | AD14-11    |
| SHEET       | 4 of 4     |