



**DEPARTMENT OF REGULATORY AND ECONOMIC RESOURCES (RER)
BOARD AND CODE ADMINISTRATION DIVISION
NOTICE OF ACCEPTANCE (NOA)**

**MIAMI-DADE COUNTY
PRODUCT CONTROL SECTION**
11805 SW 26 Street, Room 208
Miami, Florida 33175-2474
T (786) 315-2590 F (786) 315-2599
www.miamidade.gov/economy

**South Florida Rolling Doors, Inc.
3590 NW 34 Street
Miami, FL 33142**

SCOPE: This NOA is being issued under the applicable rules and regulations governing the use of construction materials. The documentation submitted has been reviewed and accepted by Miami-Dade County RER-Product Control Section to be used in Miami Dade County and other areas where allowed by the Authority Having Jurisdiction (AHJ). This NOA shall not be valid after the expiration date stated below. The Miami-Dade County Product Control Section (In Miami Dade County) and/or the AHJ (in areas other than Miami Dade County) reserve the right to have this product or material tested for quality assurance purposes. If this product or material fails to perform in the accepted manner, the manufacturer will incur the expense of such testing and the AHJ may immediately revoke, modify, or suspend the use of such product or material within their jurisdiction. RER reserves the right to revoke this acceptance, if it is determined by Miami-Dade County Product Control Section that this product or material fails to meet the requirements of the applicable building code.

This product is approved as described herein and has been designed to comply with the Florida Building Code, including the High Velocity Hurricane Zone.

DESCRIPTION: Series 1675 Steel Roll-up Door up to 16'-9 1/2" Wide

APPROVAL DOCUMENT: Drawing No. **AD14-11**, titled "Series 1675 Rolling Door (LMI & SMI)", sheets 1 through 4 of 4, dated 09/24/2014, with revision 1 dated 02/18, prepared by MCY Engineering, Inc., signed and sealed by Yiping Wang, P.E., bearing the Miami-Dade County Product Control renewal stamp with the Notice of Acceptance number and expiration date by the Miami-Dade County Product Control Section.

MISSILE IMPACT RATING: Large and Small Missile Impact Resistant

LABELING: A permanent label with the manufacturer's name or logo, manufacturing address, model number, the positive and negative design pressure rating, indicate impact rated if applicable, installation instruction drawing reference number, approval number (NOA), the applicable test standards, and the statement reading 'Miami-Dade County Product Control Approved' is to be located on the door's side track, bottom angle, or inner surface of a panel.

RENEWAL of this NOA shall be considered after a renewal application has been filed and there has been no change in the applicable building code negatively affecting the performance of this product.

TERMINATION of this NOA will occur after the expiration date or if there has been a revision or change in the materials, use, and/or manufacture of the product or process. Misuse of this NOA as an endorsement of any product, for sales, advertising or any other purposes shall automatically terminate this NOA. Failure to comply with any section of this NOA shall be cause for termination and removal of NOA.

ADVERTISEMENT: The NOA number preceded by the words Miami-Dade County, Florida, and followed by the expiration date may be displayed in advertising literature. If any portion of the NOA is displayed, then it shall be done in its entirety.

INSPECTION: A copy of this entire NOA shall be provided to the user by the manufacturer or its distributors and shall be available for inspection at the job site at the request of the Building Official. This NOA **renews NOA # 18-0828.10** and consists of this page 1 and evidence pages E-1 and E-2, as well as approval document mentioned above.

The submitted documentation was reviewed by **Carlos M. Utrera, P.E.**



**NOA No. 20-0312.02
Expiration Date: April 16, 2025
Approval Date: April 16, 2020**

NOTICE OF ACCEPTANCE: EVIDENCE SUBMITTED

1. Evidence submitted under NOA # 14-1001.05

A. DRAWINGS

1. Drawing No. **AD14-11**, titled “Series 1675 Rolling Door (LMI & SMI)”, sheets 1 through 4 of 4, dated 09/24/2014, prepared by MCY Engineering, Inc., signed and sealed by Yiping Wang, P.E.

B. TESTS

1. Test reports on 1) Uniform Static Air Pressure Test, Loading per FBC, TAS 202-94
2) Large Missile Impact Test per FBC, TAS 201-94
3) Cyclic Wind Pressure Loading per FBC, TAS 203-94
4) Forced Entry Test, per FBC, TAS 202-94
5) Tensile Test per ASTM E8,

Along with marked-up drawings and installation diagram of Series 1675 Rolling Doors, prepared by Fenestration Testing Laboratory, Inc., Test Report No. **FTL-7811**, dated 08/20/2014, signed and sealed by Idalmis Ortega, P.E.

C. CALCULATIONS

1. Calculations of Series 1675 Rolling Door, prepared by MCY Engineering, Inc., dated 09/23/2014, signed and sealed by Yiping Wang, P.E.

D. QUALITY ASSURANCE

1. Miami-Dade Department of Regulatory and Economic Resources (RER)

E. MATERIAL CERTIFICATIONS

1. Notice of acceptance No. **11-0926.07** issued to Dyplast Products LLC for their Expanded Polystyrene Block Type Insulation, approved on 11/10/2011 and expiring on 01/11/2017.
2. Mill certificate issued by Century Metals & Supplies, Inc., dated 10/22/2014.

F. STATEMENTS

1. Statement letter of code conformance to the 2010 and the 5th edition (2014) FBC and of no financial interest, prepared by MCY Engineering, Inc., dated 09/29/2014, signed and sealed by Yiping Wang, P.E.



Carlos M. Utrera, P.E.
Product Control Examiner
NOA No. 20-0312.02
Expiration Date: April 16, 2025
Approval Date: April 16, 2020

NOTICE OF ACCEPTANCE: EVIDENCE SUBMITTED

2. Evidence submitted under NOA # 18-0828.10

A. DRAWINGS

1. Drawing No. **AD14-11**, titled “Series 1675 Rolling Door (LMI & SMI)”, sheets 1 through 4 of 4, dated 09/24/2014, with revision 1 dated 02/18, prepared by MCY Engineering, Inc., signed and sealed by Yiping Wang, P.E.

B. TESTS

1. None.

C. CALCULATIONS

1. None.

D. QUALITY ASSURANCE

1. Miami-Dade Department of Regulatory and Economic Resources (RER)

E. MATERIAL CERTIFICATIONS

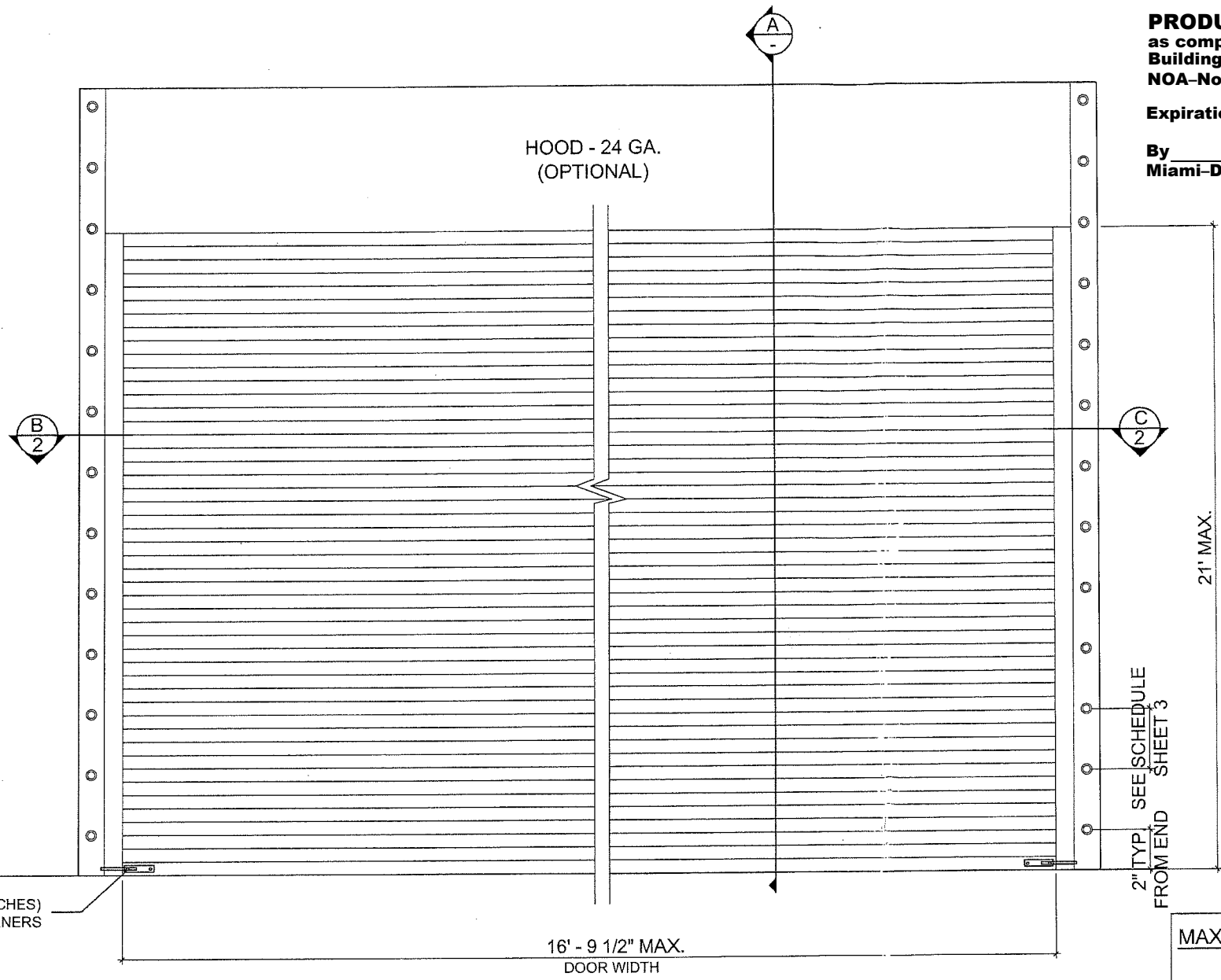
1. Notice of acceptance No. **17-1207.04** issued to Dyplast Products LLC for their E and R Expanded Polystyrene Rigid Foam Insulations, approved on 02/01/2018 and expiring on 01/11/2022.

F. STATEMENTS

1. Statement letter of code conformance to the 6th edition (2017) FBC issued by MCY Engineering, Inc., dated 03/12/2020, signed and sealed by Yiping Wang, P.E.

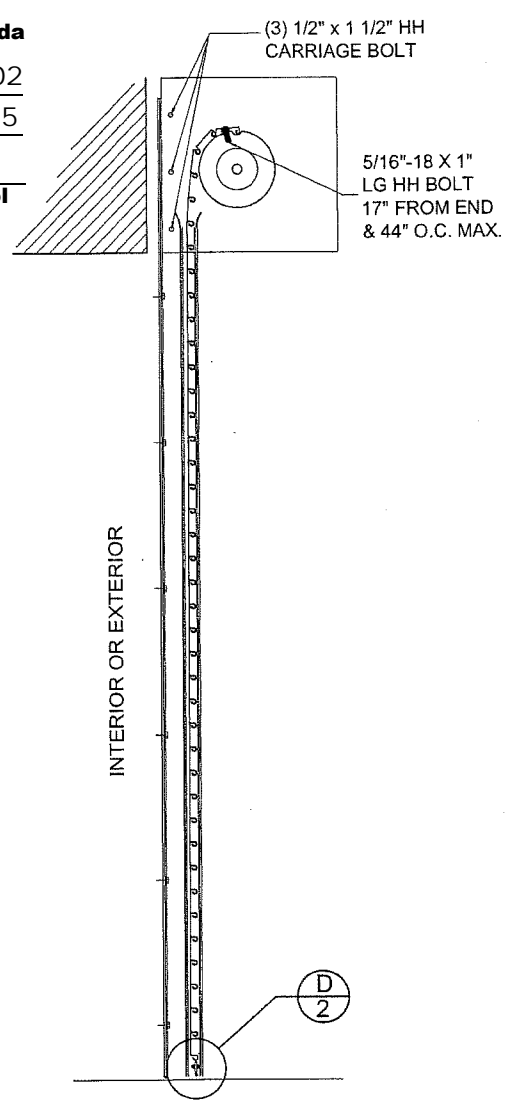


Carlos M. Utrera, P.E.
Product Control Examiner
NOA No. 20-0312.02
Expiration Date: April 16, 2025
Approval Date: April 16, 2020



TYPICAL ELEVATION

MAX. DESIGN LOADS
 + 75 PSF
 - 75 PSF



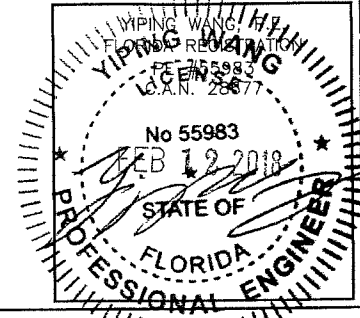
SECTION

PRODUCT RENEWED
 as complying with the Florida Building Code
 NOA-No. 20-0312.02
 Expiration Date 04/16/2025
 By *[Signature]*
 Miami-Dade Product Control

GENERAL NOTES:

- THIS PRODUCT HAS BEEN DESIGNED AND TESTED TO COMPLY WITH THE REQUIREMENTS OF THE 2017 FLORIDA BUILDING CODE 6TH EDITION. INCLUDED HIGH VELOCITY HURRICANE ZONE (HVHZ).
- THE ROLLING UP DOOR HAVE BEEN TESTED AS PER FBC 2017 TAS 201, 202 AND 203 FOR LARGE MISSILE IMPACT. FORCE ENTRY RESISTANCE TEST PER AAMA 1303.5 IN ACCORDANCE WITH CHAPTER 17 OF THE 2017 FBC.
- DESIGN LOAD SHALL BE DETERMINED BASED ON BASIC WIND SPEED, BUILDING HEIGHT AND WIND ZONE USING APPLICABLE ASCE 7 STANDARD
- ULTIMATE DESIGN LOAD OBTAINED FROM ASCE 7-10, MULTIPLY BY 0.6 SHALL BE LESS THAN OR EQUAL TO DESIGN LOAD IN THIS DOCUMENT.
- HOOD TO BE 24 GA. ASTM A653 DESIGNATION G - 90 FINISH TYPE COATING
- ANCHORS SHALL BE AS LISTED, SPACED AS SHOWN ON DETAILS. ANCHORS EMBEDMENT TO BASE MATERIAL SHALL BE BEYOND WALL DRESSING OR STUCCO.
- ANCHORING OR LOADING CONDITIONS NOT SHOWN IN THESE DETAILS ARE NOT PART OF THIS APPROVAL.
- MATERIALS INCLUDING BUT NOT LIMITED TO STEEL/METAL SCREWS THAT COME INTO CONTACT WITH OTHER DISSIMILAR MATERIALS SHALL MEET THE REQUIREMENTS OF 2017 FLORIDA BUILDING CODE SECTION AS APPLICABLE.
- IT SHALL BE THE RESPONSIBILITY OF THE CONTRACTOR TO VERIFY THAT THE EXISTING STRUCTURE IS DESIGNED TO SUPPORT Vx & Vy FORCES AT BOTH JAMBS. REFER TO SHEET 3 FOR Vx AND Vy.

MIAMI DADE COUNTY
PRODUCT REVISED
 as complying with the Florida Building Code
 NOA-No. 18-0828.10
 Expiration Date 04/16/2020
 By *[Signature]*
 Miami-Dade Product Control

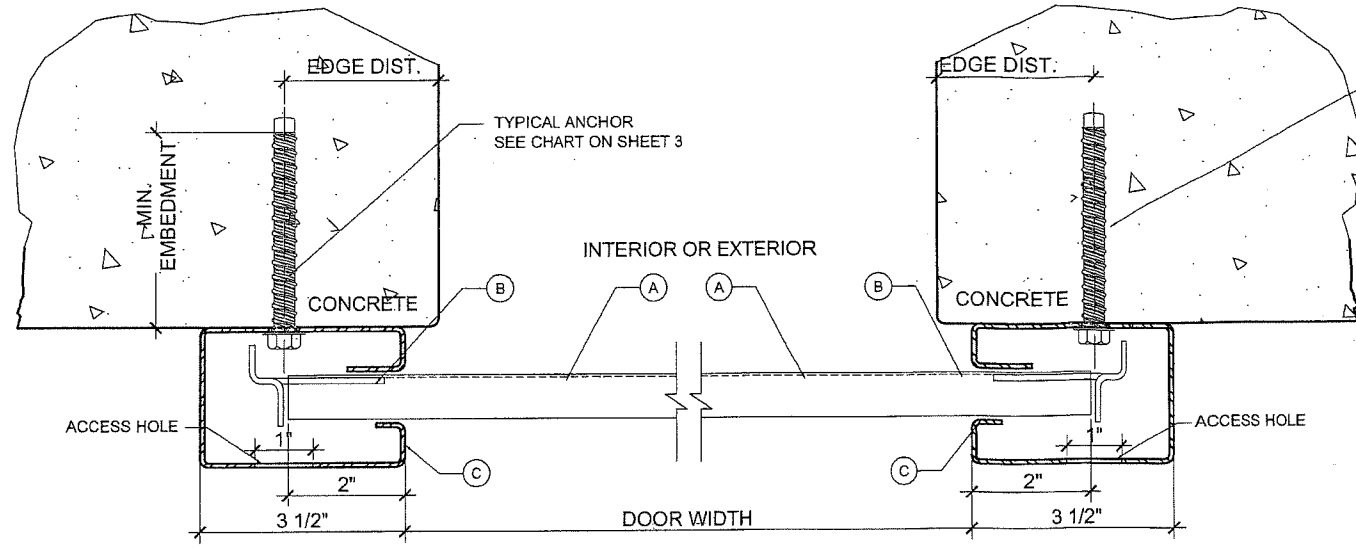


NO.	DATE	DESCRIPTION
01	02/18	FBC 2017

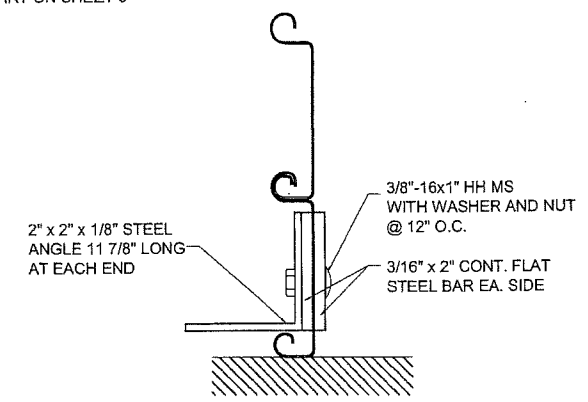
MCY ENGINEERING, INC.
 GLAZING CONSULTANTS
 8501 SW 124 AVE STE. 205A P: 305.271.0117
 MIAMI, FL. 33183 F: 786.573.5063
 www.MCYEngineering.com MCY.Engineering@Att.net

SOUTH FLORIDA ROLLING DOORS, INC.
 3590 NW 34TH ST.
 MIAMI, FL. 33142
 P: (305) 556 - 6633 P: (305) 362 - 9477

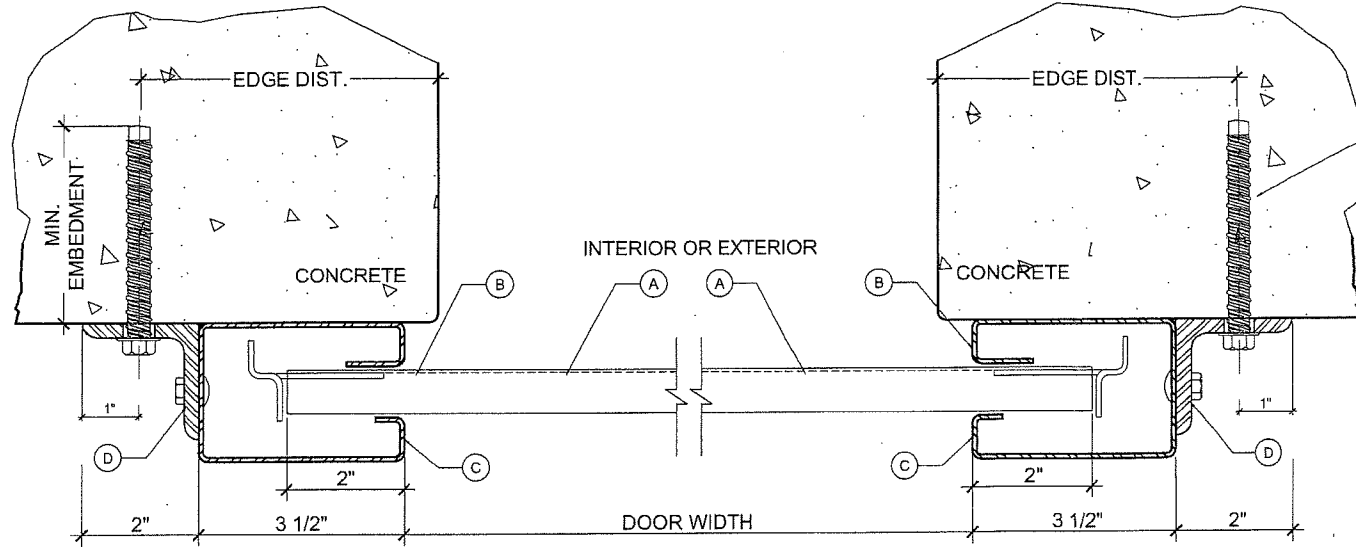
DATE	08-24-14
SCALE	AS NOTED
DRAWN	Joe
PROJECT	
DRAWING NO.	AD14-11
SHEET	1 of 4



TYPICAL ANCHOR
SEE CHART ON SHEET 3

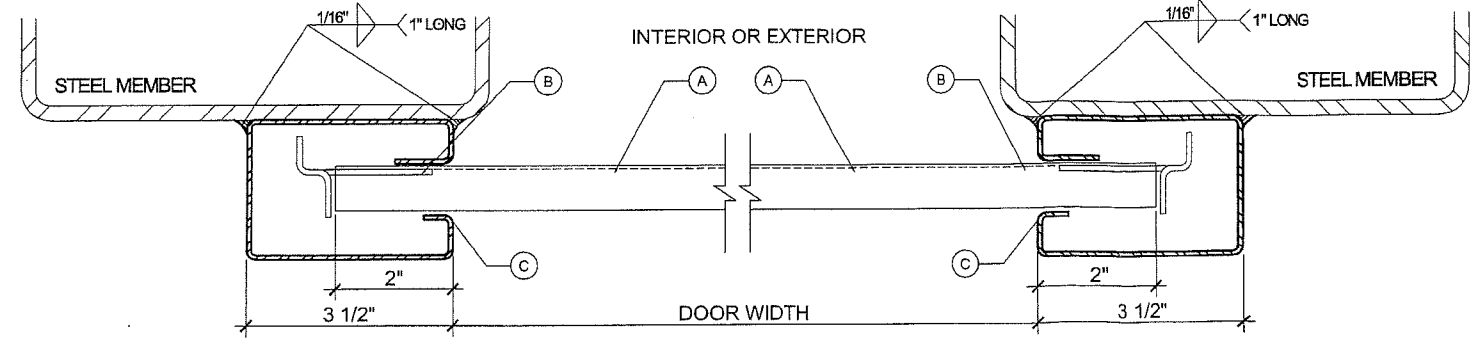


D BOTTOM BAR DETAIL



TYPICAL ANCHOR
SEE CHART ON SHEET 3

NOTES:
DOOR MAY BE INSTALLED ON THE INSIDE OR OUTSIDE OF AN EXISTING OPENING.
THE DETAILS CAN BE USED IN ANY COMBINATION.



PRODUCT RENEWED
as complying with the Florida Building Code
NOA-No. 20-0312.02
Expiration Date 04/16/2025
By *[Signature]*
Miami-Dade Product Control

MIAMI DADE COUNTY

PRODUCT REVISED
as complying with the Florida Building Code
NOA-No. 18-0828.10
Expiration Date 04/16/2020
By *[Signature]*
Miami-Dade Product Control

YIPING WANG
No 55983
12 2018
STATE OF FLORIDA
PROFESSIONAL ENGINEER

NO.	DATE	DESCRIPTION
01	02/18	FBC 2017

MCY ENGINEERING, INC.
GLAZING CONSULTANTS

8501 SW 124 AVE STE. 205A
MIAMI, FL. 33183

P: 305.271.0117
F: 786.573.5063

www.MCYEngineering.com
MCY.Engineering@Att.net

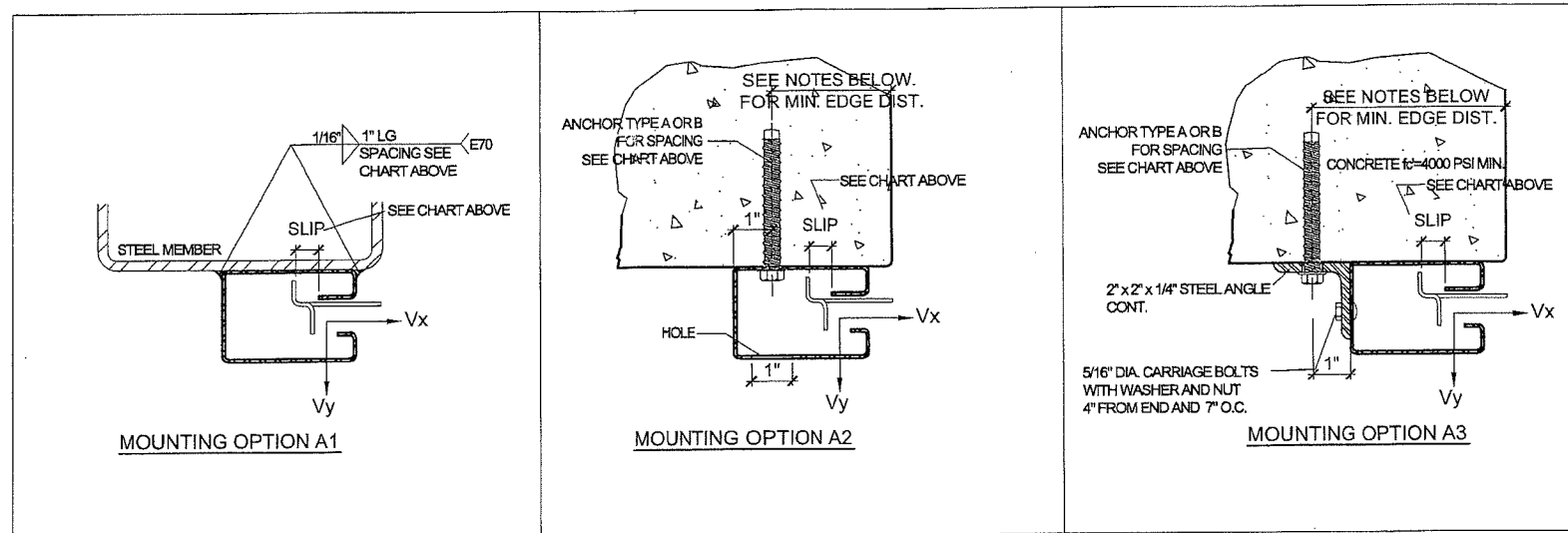
SERIES 1675 ROLLING DOOR (LMI & SMI)

SOUTH FLORIDA ROLLING DOORS, INC.

3590 NW 34TH ST.
MIAMI, FL. 33142
P: (305) 556 - 6633 P: (305) 362 - 9477

DATE	09-24-14
SCALE	AS NOTED
DRAWN	Joe
PROJECT	
DRAWING NO.	AD14-11
SHEET	2 of 4

MAXIMUM DESIGN LOAD (PSF)	DOOR WIDTH (IN)	DESIGN SLIP (IN)	MAX. LOADS AT EACH SIDE OF JAMB		ANCHOR SPACING (INCHES)						
			V _x (LB/FT)	V _y (LB/FT)	MOUNTING A1	MOUNTING A2			MOUNTING A3		
					TYPE D	TYPE A	TYPE B	TYPE C	TYPE A	TYPE B	TYPE C
						f _c ' = 4000 (PSI) MIN.					
±75	≤ 201.5	3/4	2265	652	7 1/2"	-	6 5/8"	7 3/4"	5"	7 1/4"	8 1/4"
	180	1/2	2261	584	7 3/4"	-	6 5/8"	7 3/4"	5"	7 1/4"	8 1/4"
	156	3/8	2022	509	8 3/4"	5"	7 3/8"	8"	5 5/8"	8 1/8"	8 1/4"
	132	1/4	1794	434	10"	5 5/8"	8"	8"	6 3/8"	8 1/4"	8 1/4"



TYPICAL ANCHORS @ JAMB:

(SEE CHART FOR SPACING)

TYPE A. 1/2" DIA. LDT ANCHOR BY ITW (SEE CHART FOR SPACING)

DIRECTLY INTO f_c'=4000 PSI CONCRETE,
4 1/2" MIN. EMBED.
MIN EDGE 4" @ MOUNTING A2
MIN EDGE 4" @ MOUNTING A3

TYPE B. 3/8" DIA. WEDGE BOLT ANCHOR BY POWER

DIRECTLY INTO CONCRETE f_c'=4000 PSI MIN.
3 1/2" MIN. EMBED
MIN EDGE 4" @ MOUNTING A2
MIN EDGE 4" @ MOUNTING A3

TYPE C. 1/2" DIA. WEDGE BOLT ANCHOR BY POWER

DIRECTLY INTO CONCRETE f_c'=4000 PSI MIN.
4" MIN. EMBED
MIN EDGE 5" @ MOUNTING A2
MIN EDGE 5" @ MOUNTING A3

TYPE D 1/16" x 1" LONG WELDS ELECTRODE E70
WELDED TO STEEL 3/16" MIN. THICK STEEL : F_y = 36 KSI MIN.
MOUNTING A1

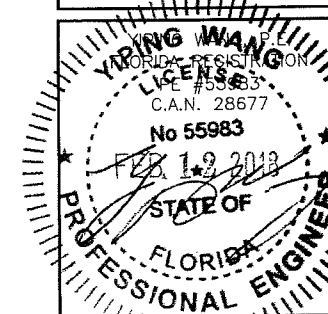
TYPE E. 5/16 DIA. CARRIAGE BOLTS W/ WASHER & NUTS
CONNECT STEEL ANGLE TO TRACK @ 7" O.C.
MOUNTING A3

PRODUCT RENEWED
as complying with the Florida
Building Code
NOA-No. 20-0312.02

Expiration Date 04/16/2025

By *[Signature]*
Miami-Dade Product Control

MIAMI DADE COUNTY
PRODUCT REVISED
as complying with the Florida
Building Code
NOA-No. 18-0828.10
Expiration Date 04/16/2020
By *[Signature]*
Miami-Dade Product Control



SERIES 1675 ROLLING DOOR (LMI & SMI)
SOUTH FLORIDA ROLLING DOORS, INC.
3590 NW 34TH ST.
MIAMI, FL. 33142
P: (305) 556-6633 P: (305) 362-9477

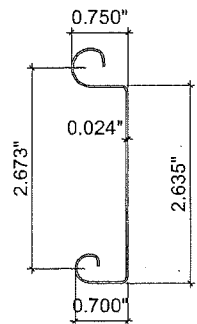
DATE 08-24-14
SCALE AS NOTED
DRAWN Joe
PROJECT

DRAWING NO.
AD14-11

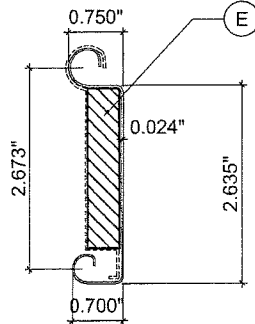
SHEET 3 of 4

NO	DATE	DESCRIPTION
01	02/18	FBC 2017

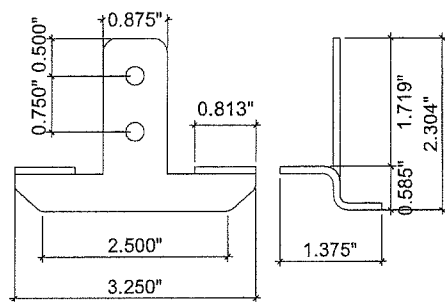
MCY ENGINEERING, INC.
GLAZING CONSULTANTS
8501 SW 124 AVE STE. 205A
MIAMI, FL. 33183
P: 305.271.0117
F: 786.573.5063
www.MCYEngineering.com
www.MCYEngineering@Att.net



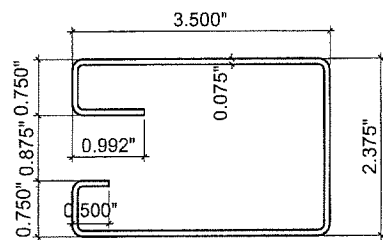
A FLAT SLAT PROFILE
24 GA



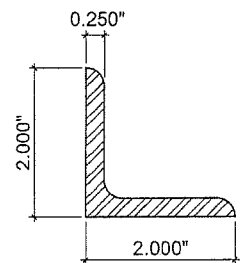
A INSULATED FLAT SLAT
OPTIONAL 24 GA



B WINDLOCKS
11 GA



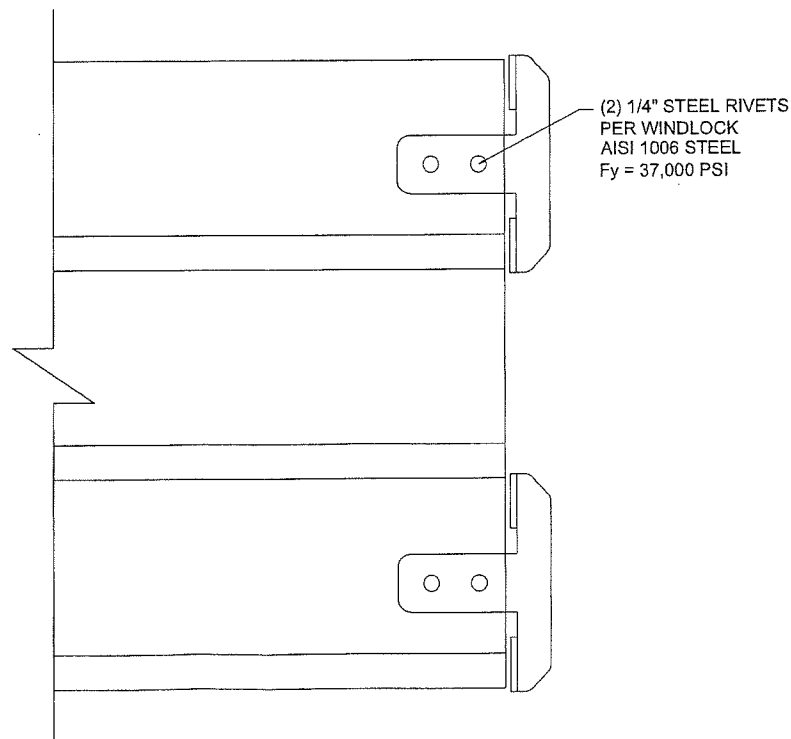
C ROLLFORMED STEEL TRACK



D 2 x 2 x 1/4" STEEL ANGLE

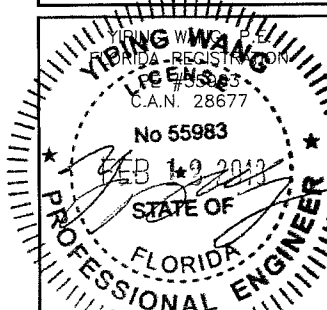
BILL OF MATERIALS

ITEM #	QTY.	DESCRIPTION	MATERIAL	MANUFACTURER/REMARKS
A	AS REQD	24GA (0.024") FLAT SLAT	GALVANIZED STEEL OR STAINLESS STEEL	ASTM A653 Fy = 57 KSI OR STAINLESS STEEL AISI 304 Fy = 57KSI . SOUTH FLORIDA ROLLING DOOR, CORP
B	EVERY OTHER SLAT	11 GA WINDLOCKS	PLATED STEEL	ASTM A36 MIN. SOUTH FLORIDA ROLLING DOOR, CORP.
C	2 PER FRAME	ROLLFORMED STEEL TRACK	GALVANIZED STEEL	ASTM A36 MIN.
D	AS REQD.	2 x 2 x 1/4" STEEL ANGLE	GALVANIZED STEEL	ASTM A36 MIN.
E	AS REQD.	EXPANDED POLYSTYRENE BLOCK TYPE INSULATION	POLYSTYRENE	DYPLAST PRODUCTS LLC. (NOA 11-0926.07)



**INTERLOCKING SLATS W/ WINDLOCKS
@ EVERY OTHER SLAT**

PRODUCT RENEWED
as complying with the Florida
Building Code
NOA-No. 20-0312.02
Expiration Date 04/16/2025
By *[Signature]*
Miami-Dade Product Control



MIAMI DADE COUNTY
PRODUCT REVISED
as complying with the Florida
Building Code
NOA-No. 18-0828.10
Expiration Date 04/16/2020
By *[Signature]*
Miami-Dade Product Control

SERIES 1675 ROLLING DOOR (LMI & SMI)
SOUTH FLORIDA ROLLING DOORS, INC.
3590 NW 34TH ST.
MIAMI, FL, 33142
P: (305) 556 - 6633 P: (305) 362 - 9477

DATE	09-24-14
SCALE	AS NOTED
DRAWN	Joe
PROJECT	

DRAWING NO.
AD14-11

SHEET 4 of 4

NO.	DATE	DESCRIPTION
01	02/18	FBC 2017

MCY ENGINEERING, INC.
GLAZING CONSULTANTS
6501 SW 124 AVE STE. 205A P: 305.271.0117
MIAMI, FL. 33183 F: 786.573.5063
www.MCYEngineering.com MCY.Engineering@Att.net